

**Features**

- Stainless steel construction
- Pressure balanced cartridge with ceramic disc and integrated diverter
- Flexible 60” hose
- Laminar and hidden stream
- Integrated check valves
- Temperature limit stop included

**Colors (Finishes)**

- Chrome: BF2224-110
- Matte black: BF2224-160

**Minimum flow rate**

- 1/2” supply: 25.6 L/min (6.75 gpm) at 60 psi

**Certifications**

The specified model meets or exceeds the following standards;



**Installation Notes**

This product must be installed following the installation instructions provided.

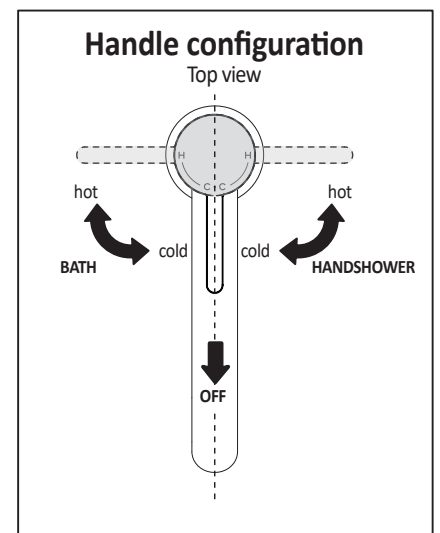
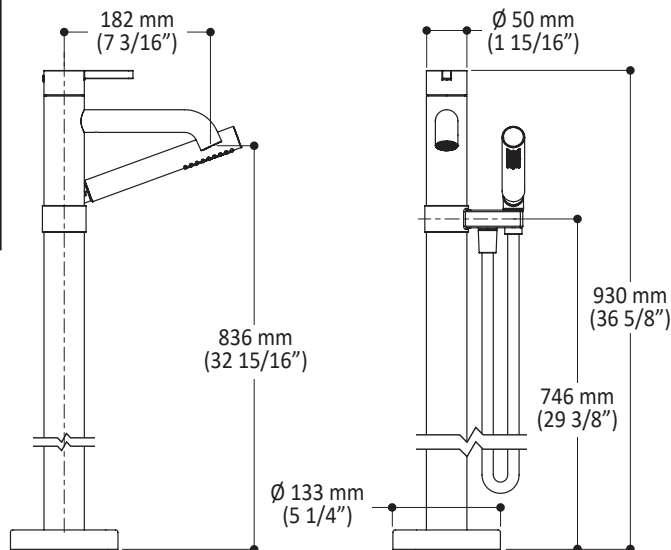
**WARRANTY**

Kalia Inc. guarantees all aspects of its products to be free of defects in material and workmanship for normal residential use. **Refer to the warranty included with the Kalia products for details.**

Product dimensions:



**105162 required**



**Important:** Dimensions are approximated and are subject to changes. Please refer to the installation instructions.