



ONCE UPON A TIME...WATER®

Features

Handshower (102225-XXX):

- Solid brass construction
- Male water inlet G½
- Soft tips for easy cleaning of limescale

Handshower holder with wall outlet (107392-XXX):

- Solid brass construction
- Male water inlet ½NPT and male water outlet G½

60" flexible and soft pvc hose (101620-XXX):

- G1/2 female connection
- With integrated check valve

Colors (Finishes)

- Chrome: BF2166-110
- Pure Nickel PVD: BF2166-125
- Matte Black: BF2166-160

Maximum flow rate

- 7.6 L/min (2 gpm) at 80 psi

Certifications

The specified model meets or exceeds the following standards;



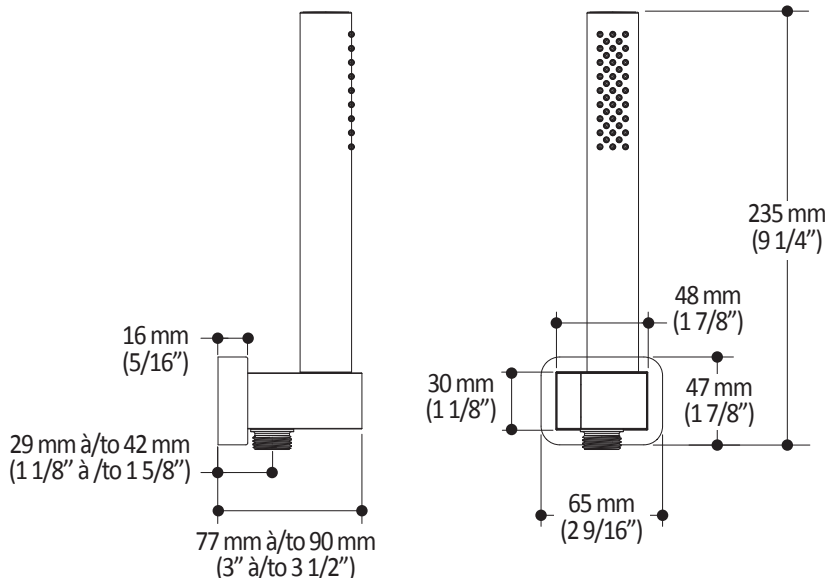
Installation Notes

This product must be installed following the installation instructions provided.

WARRANTY

Kalia Inc. guarantees all aspects of its products to be free of defects in material and workmanship for normal residential use. **Refer to the warranty included with the Kalia products for details.**

Product dimensions:



Important: Dimensions are approximated and are subject to changes. Please refer to the installation instructions.



ONCE UPON A TIME...WATER®

1355, 2nd Street, Industrial Park
 Sainte-Marie (Québec)
 Canada G6E 1G9

T 418-387-9090
 1-877-GO-KALIA (1-87- 465-2542)
 F 418 387-9089

KaliaStyle.com