

**BF1931-XXX-201****PREMIA: TCD1 Thermostatic Shower System (without valve)****SPECIFICATIONS****Components included**

- 107490-XXX\*: Decorative trim for 2-way AQUATONIK™ type T/P 1/2" coaxial valve with diverter
  - BF2158-XXX\*: Rainhead with vertical ceiling arm
  - 107379-XXX\*: 3-jet handshower (mist spray, rain spray and mixed spray)
  - 107390-XXX\*: Wallbar
  - 107393-XXX\*: Wall outlet
  - 101620-XXX\*: 60" flexible and soft PVC hose
- \*XXX means that the finish color must be specified.*

**Colors (Finishes)**

- Chrome: BF1931-**110**-201
- Matte Black: BF1931-**160**-201

*See the following sheets for the technical features of each component.*

**Installation Notes**

This product must be installed following the installation instructions provided.

**WARRANTY**

Kalia Inc. guarantees all aspects of its products to be free of defects in material and workmanship for normal residential use. **Refer to the warranty included with the Kalia products for details.**





# Kalia

ONCE UPON A TIME...WATER®

# MOROKA™

## 107490

Decorative trim for 2-way AQUATONIK™ type T/P 1/2" coaxial valve with diverter

### SPECIFICATIONS

#### Features

- Solid brass construction
- No visible screws
- Total adjustment of 32 mm (1 1/4")

#### Colors (Finishes)

- Chrome: 107490-110
- Matte Black: 107490-160



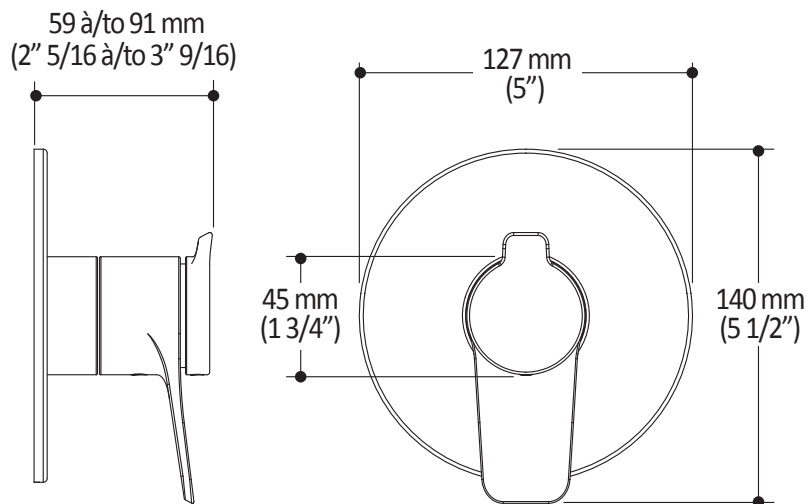
#### Installation Notes

This product must be installed following the installation instructions provided.

#### WARRANTY

Kalia Inc. guarantees all aspects of its products to be free of defects in material and workmanship for normal residential use. **Refer to the warranty included with the Kalia products for details.**

Product dimensions:



**Important:** Dimensions are approximated and are subject to changes. Please refer to the installation instructions.



ONCE UPON A TIME...WATER®

1355, 2<sup>nd</sup> Street, Industrial Park  
Sainte-Marie (Québec)  
Canada G6E 1G9

T 418-387-9090  
1-877-GO-KALIA (1-87- 465-2542)  
F 418 387-9089

[KaliaStyle.com](http://KaliaStyle.com)



ONCE UPON A TIME...WATER®

MOROKA™

BF2158

PREMIA: Rainhead with Vertical Ceiling Arm

SPECIFICATIONS

Features

- Solid brass arm and plastic rainhead construction
- Male water inlet 1/2NPT for vertical arm
- Female water inlet G½ for rainhead
- LSR (liquid silicone rubber) soft tips for easy cleaning of limescale
- Adjustable orientation swivel

Colors (Finishes)

- Chrome: BF2158-110
- Pure Nickel PVD: BF2158-125
- Matte Black: BF2158-160

Maximum flow rate

- 7.6 L/min (2 gpm) to 80 psi

Certifications

The specified model meets or exceeds the following standards;



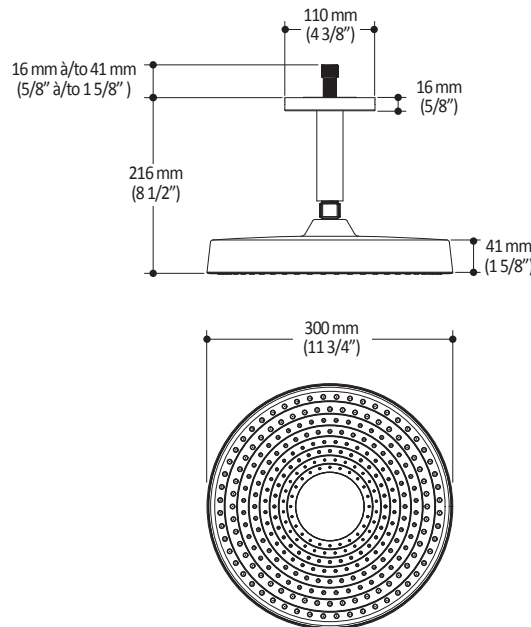
Installation Notes

This product must be installed following the installation instructions provided.

WARRANTY

Kalia Inc. guarantees all aspects of its products to be free of defects in material and workmanship for normal residential use. Refer to the warranty included with the Kalia products for details.

Product dimensions:



Important: Dimensions are approximated and are subject to changes. Please refer to the installation instructions.



ONCE UPON A TIME...WATER®

1355, 2<sup>nd</sup> Street, Industrial Park  
Sainte-Marie (Québec)  
Canada G6E 1G9

T 418-387-9090  
1-877-GO-KALIA (1-87- 465-2542)  
F 418 387-9089

KaliaStyle.com



ONCE UPON A TIME...WATER®

MOROKA™

107379

PREMIA: 3-jet handshower

SPECIFICATIONS

### Features

- Male water inlet G½
- 3-jet handshower: mist spray, rain spray and mixed spray
- LSR (liquid silicone rubber) soft tips for easy cleaning of limescale

### Colors (Finishes)

- Chrome: 107379-110
- Pure Nickel PVD: 107379-125
- Matte Black: 107379-160

### Maximum flow rate

- 7.6 L/min (2 gpm) to 80 psi

### Certifications

The specified model meets or exceeds the following standards;



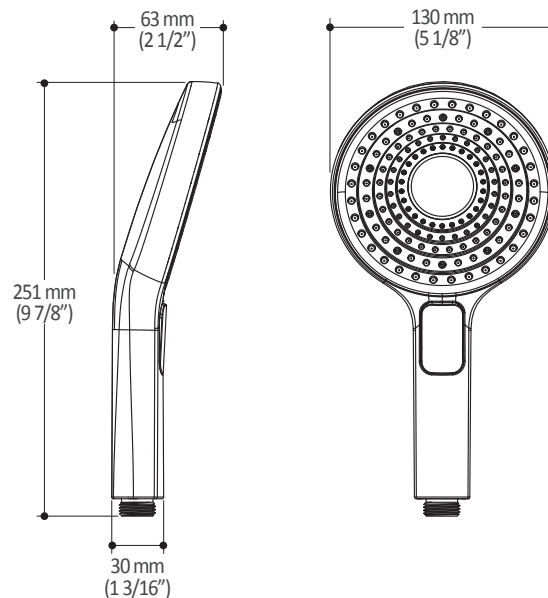
### Installation Notes

This product must be installed following the installation instructions provided.

### WARRANTY

Kalia Inc. guarantees all aspects of its products to be free of defects in material and workmanship for normal residential use. **Refer to the warranty included with the Kalia products for details.**

Product dimensions:



**Important:** Dimensions are approximated and are subject to changes. Please refer to the installation instructions.



ONCE UPON A TIME...WATER®

1355, 2<sup>nd</sup> Street, Industrial Park  
Sainte-Marie (Québec)  
Canada G6E 1G9

T 418-387-9090  
1-877-GO-KALIA (1-87- 465-2542)  
F 418 387-9089

[KaliaStyle.com](http://KaliaStyle.com)



ONCE UPON A TIME...WATER®

MOROKA™

107390

PREMIA: Wallbar for handshower

SPECIFICATIONS

Features

- Solid brass construction
- Locking system
- Easy-to-use gliding system

Colors (Finishes)

- Chrome: 107390-110
- Pure Nickel PVD: 107390-125
- Matte Black: 107390-160

Certifications

The specified model meets or exceeds the following standards:



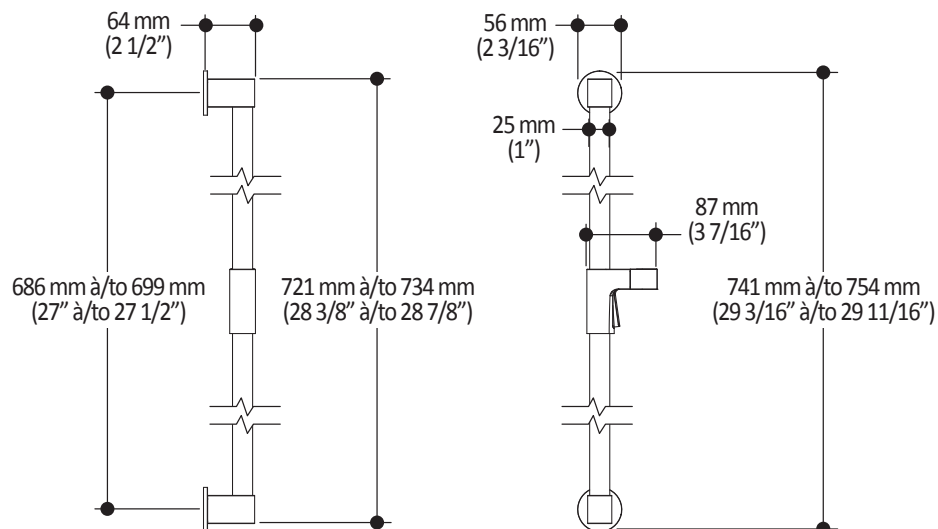
Installation Notes

This product must be installed following the installation instructions provided.

WARRANTY

Kalia Inc. guarantees all aspects of its products to be free of defects in material and workmanship for normal residential use. Refer to the warranty included with the Kalia products for details.

Product dimensions:



Important: Dimensions are approximated and are subject to changes. Please refer to the installation instructions.



ONCE UPON A TIME...WATER®

1355, 2<sup>nd</sup> Street, Industrial Park  
Sainte-Marie (Québec)  
Canada G6E 1G9

T 418-387-9090  
1-877-GO-KALIA (1-87- 465-2542)  
F 418 387-9089

KaliaStyle.com



ONCE UPON A TIME...WATER®

# 107393 PREMIA: Wall outlet

## SPECIFICATIONS

### Features

- Solid brass construction
- Male water outlet G½
- Female water inlet 1/2NPT
- Connector adjustable in depth

### Colors (Finishes)

- Chrome: 107393-110
- Pure Nickel PVD: 107393-125
- Matte Black: 107393-160

### Certifications

The specified model meets or exceeds the following standards;



### Installation Notes

This product must be installed following the installation instructions provided.

### WARRANTY

Kalia Inc. guarantees all aspects of its products to be free of defects in material and workmanship for normal residential use. **Refer to the warranty included with the Kalia products for details.**

Product dimensions:



**Important:** Dimensions are approximated and are subject to changes. Please refer to the installation instructions.



ONCE UPON A TIME...WATER®

1355, 2<sup>nd</sup> Street, Industrial Park  
Sainte-Marie (Québec)  
Canada G6E 1G9

T 418-387-9090  
1-877-GO-KALIA (1-87- 465-2542)  
F 418 387-9089

[KaliaStyle.com](http://KaliaStyle.com)



# Kalia

ONCE UPON A TIME...WATER®

## 101620

### 60" (1524 mm) Flexible and Soft PVC Hose

#### *SPECIFICATIONS*

#### Features

- G1/2 female connection
- Integrated check valve

#### Colors (Finishes)

- Chrome: 101620-110
- Pure Nickel PVD: 101620-125
- Black and chrome: 101620-150
- Matte Black: 101620-160



#### Installation Notes

This product must be installed following the installation instructions provided.

#### WARRANTY

Kalia Inc. guarantees all aspects of its products to be free of defects in material and workmanship for normal residential use. **Refer to the warranty included with the Kalia products for details.**

*Product dimensions:*



**Important :** Dimensions are approximated and are subject to changes. Please refer to the installation instructions.



# Kalia

ONCE UPON A TIME...WATER®

1355, 2<sup>nd</sup> Street, Industrial Park  
Sainte-Marie (Québec)  
Canada G6E 1G9

T 418-387-9090  
1-877-GO-KALIA (1-87-465-2542)  
F 418 387-9089

[KaliaStyle.com](http://KaliaStyle.com)