

**BF2098-XXX-201****PREMIA: TB3 Thermostatic Shower System (without valve)****SPECIFICATIONS****Components included**

- 106834-XXX*: Decorative trim for 3-way AQUATONIK™ type T/P 1/2" push-button valve
- BF2158-XXX*: Rainhead with vertical ceiling arm
- 107379-XXX*: 3-jet handshower (mist spray, rain spray and mixed spray)
- 107390-XXX*: Wallbar
- 107393-XXX*: Wall outlet
- 106046-XXX*: Tub spout
- 101620-XXX*: 60" flexible and soft PVC hose

*XXX means that the finish color must be specified.

Colors (Finishes)

- Chrome: BF2098-110-201
- Pure Nickel PVD: BF2098-125-201
- Matte Black: BF2098-160-201

See the following sheets for the technical features of each component.

Installation Notes

This product must be installed following the installation instructions provided.

WARRANTY

Kalia Inc. guarantees all aspects of its products to be free of defects in material and workmanship for normal residential use. **Refer to the warranty included with the Kalia products for details.**





ONCE UPON A TIME...WATER®

106834

Decorative trim for 3-way AQUATONIK™ type T/P 1/2" push-button valve

SPÉCIFICATIONS

Features

- Low-profil design
- Horizontal or vertical installation
- Integrated adjustable high-temperature limit
- Extra buttons included for custom shower configurations

Colors (Finishes)

- Chrome: 106834-110
- Pure Nickel PVD: 106834-125
- Matte Black: 106834-160



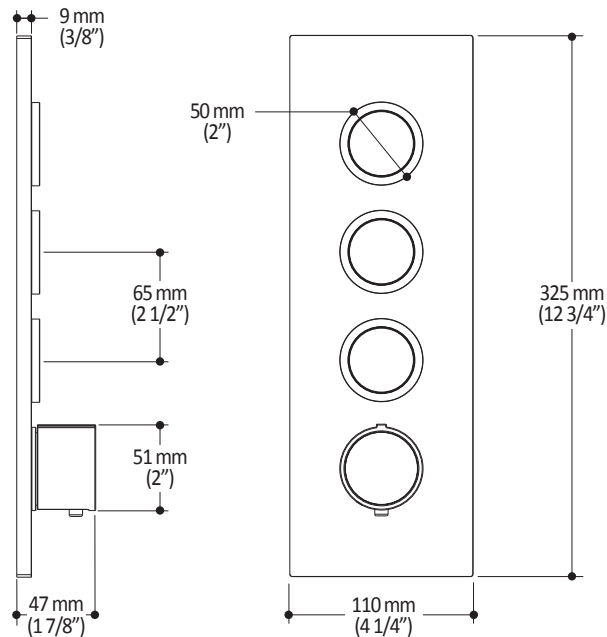
Installation Notes

This product must be installed following the installation instructions provided.

WARRANTY

Kalia Inc. guarantees all aspects of its products to be free of defects in material and workmanship for normal residential use. **Refer to the warranty included with the Kalia products for details.**

Product dimensions:



Important: Dimensions are approximated and are subject to changes. Please refer to the installation instructions.



ONCE UPON A TIME...WATER®

1355, 2nd Street, Industrial Park
Sainte-Marie (Québec)
Canada G6E 1G9

T 418-387-9090
1-877-GO-KALIA (1-877-465-2542)
F 418 387-9089

KaliaStyle.com



ONCE UPON A TIME...WATER®

MOROKA™

BF2158

PREMIA: Rainhead with Vertical Ceiling Arm

SPECIFICATIONS

Features

- Solid brass arm and plastic rainhead construction
- Male water inlet 1/2NPT for vertical arm
- Female water inlet G½ for rainhead
- LSR (liquid silicone rubber) soft tips for easy cleaning of limescale
- Adjustable orientation swivel

Colors (Finishes)

- Chrome: BF2158-110
- Pure Nickel PVD: BF2158-125
- Matte Black: BF2158-160

Maximum flow rate

- 7.6 L/min (2 gpm) to 80 psi

Certifications

The specified model meets or exceeds the following standards;



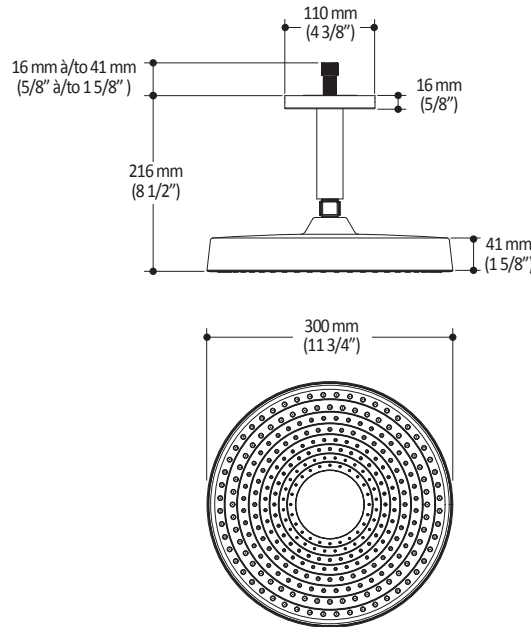
Installation Notes

This product must be installed following the installation instructions provided.

WARRANTY

Kalia Inc. guarantees all aspects of its products to be free of defects in material and workmanship for normal residential use. Refer to the warranty included with the Kalia products for details.

Product dimensions:



Important: Dimensions are approximated and are subject to changes. Please refer to the installation instructions.



ONCE UPON A TIME...WATER®

1355, 2nd Street, Industrial Park
Sainte-Marie (Québec)
Canada G6E 1G9

T 418-387-9090
1-877-GO-KALIA (1-87- 465-2542)
F 418 387-9089

KaliaStyle.com



ONCE UPON A TIME...WATER®

MOROKA™

107379

PREMIA: 3-jet handshower

SPECIFICATIONS

Features

- Male water inlet G½
- 3-jet handshower: mist spray, rain spray and mixed spray
- LSR (liquid silicone rubber) soft tips for easy cleaning of limescale

Colors (Finishes)

- Chrome: 107379-110
- Pure Nickel PVD: 107379-125
- Matte Black: 107379-160

Maximum flow rate

- 7.6 L/min (2 gpm) to 80 psi

Certifications

The specified model meets or exceeds the following standards;



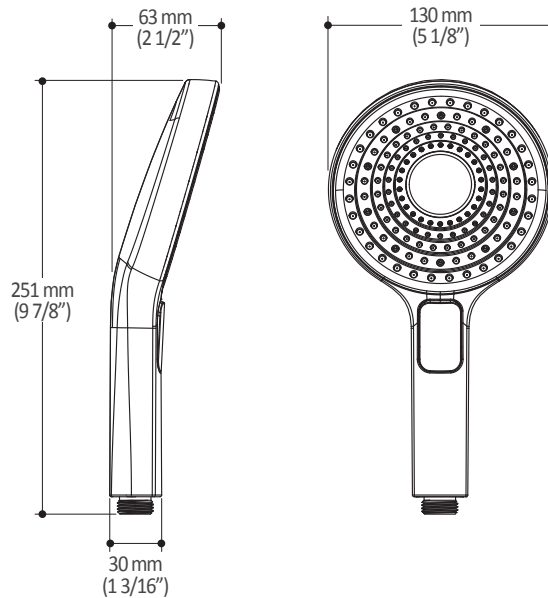
Installation Notes

This product must be installed following the installation instructions provided.

WARRANTY

Kalia Inc. guarantees all aspects of its products to be free of defects in material and workmanship for normal residential use. **Refer to the warranty included with the Kalia products for details.**

Product dimensions:



Important: Dimensions are approximated and are subject to changes. Please refer to the installation instructions.



ONCE UPON A TIME...WATER®

1355, 2nd Street, Industrial Park
Sainte-Marie (Québec)
Canada G6E 1G9

T 418-387-9090
1-877-GO-KALIA (1-87- 465-2542)
F 418 387-9089

KaliaStyle.com



Kalia

ONCE UPON A TIME...WATER®

MOROKA™

107390

PREMIA: Wallbar for handshower

SPECIFICATIONS

Features

- Solid brass construction
- Locking system
- Easy-to-use gliding system

Colors (Finishes)

- Chrome: 107390-110
- Pure Nickel PVD: 107390-125
- Matte Black: 107390-160

Certifications

The specified model meets or exceeds the following standards:



CSA B125.1
ASME A112.18.1



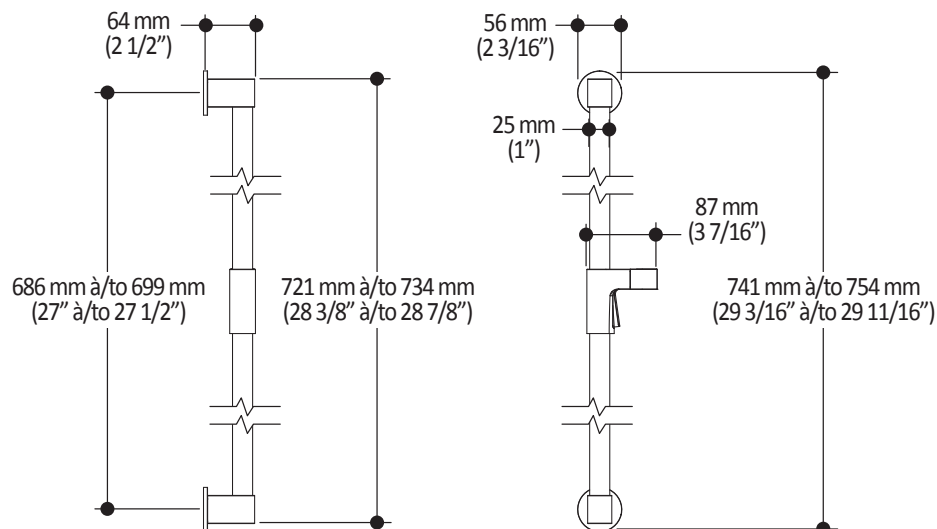
Installation Notes

This product must be installed following the installation instructions provided.

WARRANTY

Kalia Inc. guarantees all aspects of its products to be free of defects in material and workmanship for normal residential use. **Refer to the warranty included with the Kalia products for details.**

Product dimensions:



Important: Dimensions are approximated and are subject to changes. Please refer to the installation instructions.



Kalia

ONCE UPON A TIME...WATER®

1355, 2nd Street, Industrial Park
Sainte-Marie (Québec)
Canada G6E 1G9

T 418-387-9090
1-877-GO-KALIA (1-87- 465-2542)
F 418 387-9089

KaliaStyle.com



ONCE UPON A TIME...WATER®

107393 PREMIA: Wall outlet

SPECIFICATIONS

Features

- Solid brass construction
- Male water outlet G½
- Female water inlet 1/2NPT
- Connector adjustable in depth

Colors (Finishes)

- Chrome: 107393-110
- Pure Nickel PVD: 107393-125
- Matte Black: 107393-160

Certifications

The specified model meets or exceeds the following standards;



Installation Notes

This product must be installed following the installation instructions provided.

WARRANTY

Kalia Inc. guarantees all aspects of its products to be free of defects in material and workmanship for normal residential use. **Refer to the warranty included with the Kalia products for details.**

Product dimensions:



Important: Dimensions are approximated and are subject to changes. Please refer to the installation instructions.



ONCE UPON A TIME...WATER®

1355, 2nd Street, Industrial Park
Sainte-Marie (Québec)
Canada G6E 1G9

T 418-387-9090
1-877-GO-KALIA (1-87- 465-2542)
F 418 387-9089

KaliaStyle.com



ONCE UPON A TIME...WATER®

MOROKA™

106046
Tub Spout

SPECIFICATIONS

Features

- Solid brass construction
- Male water inlet 1/2NPT with 76 mm (3") adjustment or 1/2" copper "slip fit" inlet
- Regular water jet
- High water flow

Colors (Finishes)

- Chrome: 106046-110
- Pure Nickel PVD: 106046-125
- Matte Black: 106046-160

Certifications

The specified model meets or exceeds the following standards;



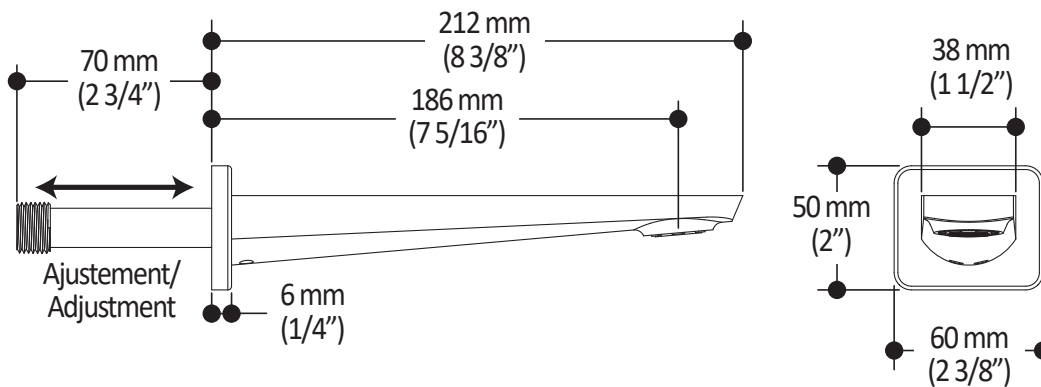
Installation Notes

This product must be installed following the installation instructions provided.

WARRANTY

Kalia Inc. guarantees all aspects of its products to be free of defects in material and workmanship for normal residential use. **Refer to the warranty included with the Kalia products for details.**

Product dimensions:



Important: Dimensions are approximated and are subject to changes. Please refer to the installation instructions.



ONCE UPON A TIME...WATER®

1355, 2nd Street, Industrial Park
Sainte-Marie (Québec)
Canada G6E 1G9

T 418-387-9090
1-877-GO-KALIA (1-87- 465-2542)
F 418 387-9089

KaliaStyle.com



Kalia

ONCE UPON A TIME...WATER®

101620

60" (1524 mm) Flexible and Soft PVC Hose

SPECIFICATIONS

Features

- G1/2 female connection
- Integrated check valve

Colors (Finishes)

- Chrome: 101620-110
- Pure Nickel PVD: 101620-125
- Black and chrome: 101620-150
- Matte Black: 101620-160



Installation Notes

This product must be installed following the installation instructions provided.

WARRANTY

Kalia Inc. guarantees all aspects of its products to be free of defects in material and workmanship for normal residential use. **Refer to the warranty included with the Kalia products for details.**

Product dimensions:



Important : Dimensions are approximated and are subject to changes. Please refer to the installation instructions.



Kalia

ONCE UPON A TIME...WATER®

1355, 2nd Street, Industrial Park
Sainte-Marie (Québec)
Canada G6E 1G9

T 418-387-9090
1-877-GO-KALIA (1-87-465-2542)
F 418 387-9089

KaliaStyle.com