

**BF2098-XXX-101****PLUS: TB3 Thermostatic Shower System (without valve)****SPECIFICATIONS****Components included**

- 106834-XXX*: Decorative trim for 3-way AQUATONIK™ type T/P 1/2" push-button valve
- BF2154-XXX*: Rainhead with vertical ceiling arm
- 107383-XXX*: 3-jet handshower (mist spray, rain spray and massage spray)
- 103577-XXX*: Wallbar
- 106192-XXX*: Wall outlet
- 106046-XXX*: Tub spout
- 101620-XXX*: 60" flexible and soft PVC hose

XXX means that the finish color must be specified.*Colors (Finishes)**

- Chrome: BF2098-**110**-101
- Pure Nickel PVD: BF2098-**125**-101
- Matte Black: BF2098-**160**-101

*See the following sheets for the technical features of each component.***Installation Notes**

This product must be installed following the installation instructions provided.

WARRANTY

Kalia Inc. guarantees all aspects of its products to be free of defects in material and workmanship for normal residential use. **Refer to the warranty included with the Kalia products for details.**





ONCE UPON A TIME...WATER®

106834

Decorative trim for 3-way AQUATONIK™ type T/P 1/2" push-button valve

SPÉCIFICATIONS

Features

- Low-profil design
- Horizontal or vertical installation
- Integrated adjustable high-temperature limit
- Extra buttons included for custom shower configurations

Colors (Finishes)

- Chrome: 106834-110
- Pure Nickel PVD: 106834-125
- Matte Black: 106834-160



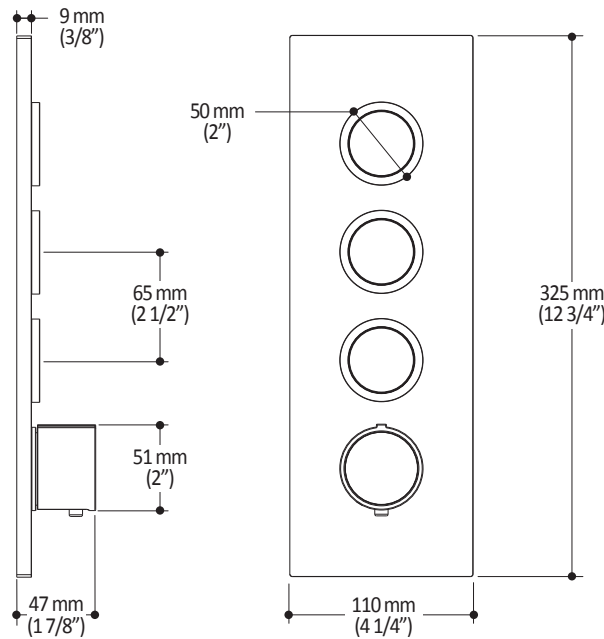
Installation Notes

This product must be installed following the installation instructions provided.

WARRANTY

Kalia Inc. guarantees all aspects of its products to be free of defects in material and workmanship for normal residential use. **Refer to the warranty included with the Kalia products for details.**

Product dimensions:



Important: Dimensions are approximated and are subject to changes. Please refer to the installation instructions.



ONCE UPON A TIME...WATER®

1355, 2nd Street, Industrial Park
Sainte-Marie (Québec)
Canada G6E 1G9

T 418-387-9090
1-877-GO-KALIA (1-877-465-2542)
F 418 387-9089

KaliaStyle.com



ONCE UPON A TIME...WATER®

MOROKA™

BF2154

PLUS: Rainhead with Vertical Ceiling Arm

SPECIFICATIONS

Features

- Solid brass arm and plastic rainhead construction
- Male water inlet 1/2NPT
- Female water inlet G½ for rainhead
- Soft tips for easy cleaning of limescale
- Adjustable orientation swivel

Colors (Finishes)

- Chrome: BF2154-110
- Pure Nickel PVD: BF2154-125
- Matte Black: BF2154-160

Maximum flow rate

- 7.6 L/min (2 gpm) to 80 psi

Certifications

The specified model meets or exceeds the following standards;



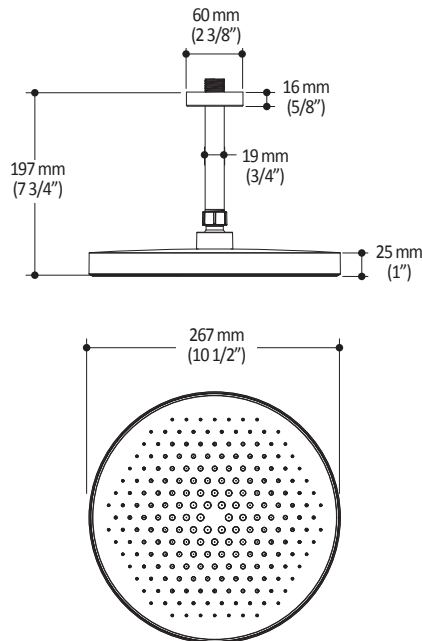
Installation Notes

This product must be installed following the installation instructions provided.

WARRANTY

Kalia Inc. guarantees all aspects of its products to be free of defects in material and workmanship for normal residential use. Refer to the warranty included with the Kalia products for details.

Product dimensions:



Important: Dimensions are approximated and are subject to changes. Please refer to the installation instructions.



ONCE UPON A TIME...WATER®

1355, 2nd Street, Industrial Park
Sainte-Marie (Québec)
Canada G6E 1G9

T 418-387-9090
1-877-GO-KALIA (1-87- 465-2542)
F 418 387-9089

KaliaStyle.com



Kalia

ONCE UPON A TIME...WATER®

MOROKA™

107383

PLUS: 3-jet handshower

SPECIFICATIONS

Features

- Male water inlet G½
- 3-jet handshower: mist spray, rain spray and massage spray
- Soft tips for easy cleaning of limescale

Colors (Finishes)

- Chrome: 107383-110
- Pure Nickel PVD: 107383-125
- Matte Black: 107383-160

Maximum flow rate

- 7.6 L/min (2 gpm) to 80 psi

Certifications

The specified model meets or exceeds the following standards;



CSA B125.1
ASME A112.18.1



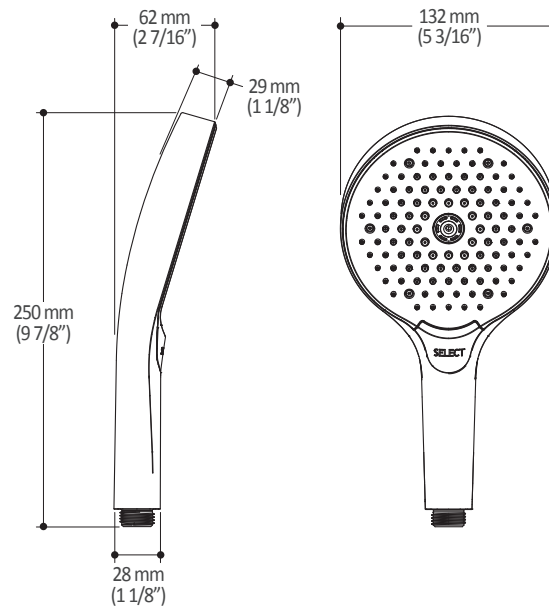
Installation Notes

This product must be installed following the installation instructions provided.

WARRANTY

Kalia Inc. guarantees all aspects of its products to be free of defects in material and workmanship for normal residential use. **Refer to the warranty included with the Kalia products for details.**

Product dimensions:



Important: Dimensions are approximated and are subject to changes. Please refer to the installation instructions.



Kalia

ONCE UPON A TIME...WATER®

1355, 2nd Street, Industrial Park
Sainte-Marie (Québec)
Canada G6E 1G9

T 418-387-9090
1-877-GO-KALIA (1-877-465-2542)
F 418 387-9089

KaliaStyle.com



ONCE UPON A TIME...WATER®

103577

Wallbar for handshower

SPECIFICATIONS

Features

- Plastic construction
- Total height of 742 mm (30")
- Easy-to-use gliding system
- Locking system

Colors (Finishes)

- Chrome: 103577-110
- Pure Nickel PVD: 103577-125
- Matte Black: 103577-160

Certifications

The specified model meets or exceeds the following standards:

ADA



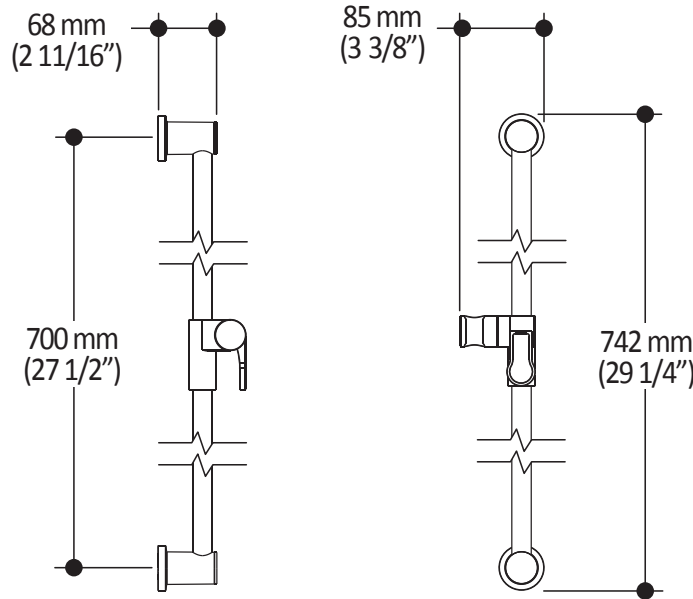
Installation Notes

This product must be installed following the installation instructions provided.

WARRANTY

Kalia Inc. guarantees all aspects of its products to be free of defects in material and workmanship for normal residential use. **Refer to the warranty included with the Kalia products for details.**

Product dimensions:



Important : Dimensions are approximated and are subject to changes. Please refer to the installation instructions.



ONCE UPON A TIME...WATER®

1355, 2nd Street, Industrial Park
Sainte-Marie (Québec)
Canada G6E 1G9

T 418-387-9090
1-877-GO-KALIA (1-87- 465-2542)
F 418 387-9089

KaliaStyle.com



ONCE UPON A TIME...WATER®

106192 Wall Outlet

SPECIFICATIONS

Features

- Solid brass construction
- Connector adjustable in depth for increased durability
- Female water inlet 1/2NPT
- Male water outlet G1/2

Colors (Finishes)

- Chrome: 106192-110
- Pure Nickel PVD: 106192-125
- Matte Black: 106192-160
- Black: 106192-165

Certifications

The specified model meets or exceeds the following standards;



Installation Notes

This product must be installed following the installation instructions provided.

WARRANTY

Kalia Inc. guarantees all aspects of its products to be free of defects in material and workmanship for normal residential use. **Refer to the warranty included with the Kalia products for details.**

Product dimensions:



Important: Dimensions are approximated and are subject to changes. Please refer to the installation instructions.



ONCE UPON A TIME...WATER®

1355, 2nd Street, Industrial Park
Sainte-Marie (Québec)
Canada G6E 1G9

T 418-387-9090
1-877-GO-KALIA (1-877- 465-2542)
F 418 387-9089

KaliaStyle.com



Kalia

ONCE UPON A TIME...WATER®

MOROKA™

106046 Tub Spout

SPÉCIFICATIONS

Features

- Solid brass construction
- Male water inlet 1/2NPT with 76 mm (3") adjustment or 1/2" copper "slip fit" inlet
- Regular water jet
- High water flow

Colors (Finishes)

- Chrome: 106046-110
- Pure Nickel PVD: 106046-125
- Matte Black: 106046-160

Certifications

The specified model meets or exceeds the following standards;



CSA B125.1
ASME A112.18.1



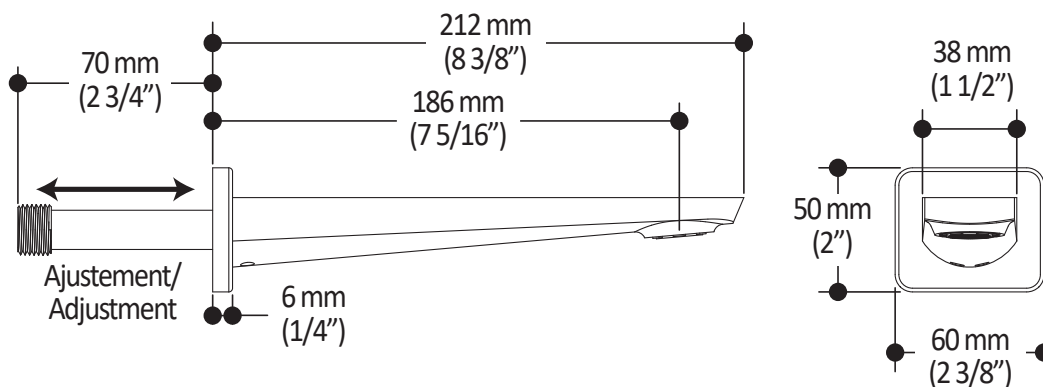
Installation Notes

This product must be installed following the installation instructions provided.

WARRANTY

Kalia Inc. guarantees all aspects of its products to be free of defects in material and workmanship for normal residential use. **Refer to the warranty included with the Kalia products for details.**

Product dimensions:



Important: Dimensions are approximated and are subject to changes. Please refer to the installation instructions.



Kalia

ONCE UPON A TIME...WATER®

1355, 2nd Street, Industrial Park
Sainte-Marie (Québec)
Canada G6E 1G9

T 418-387-9090
1-877-GO-KALIA (1-87- 465-2542)
F 418 387-9089

KaliaStyle.com



Kalia

ONCE UPON A TIME...WATER®

101620

60" (1524 mm) Flexible and Soft PVC Hose

SPECIFICATIONS

Features

- G1/2 female connection
- Integrated check valve

Colors (Finishes)

- Chrome: 101620-110
- Pure Nickel PVD: 101620-125
- Black and chrome: 101620-150
- Matte Black: 101620-160



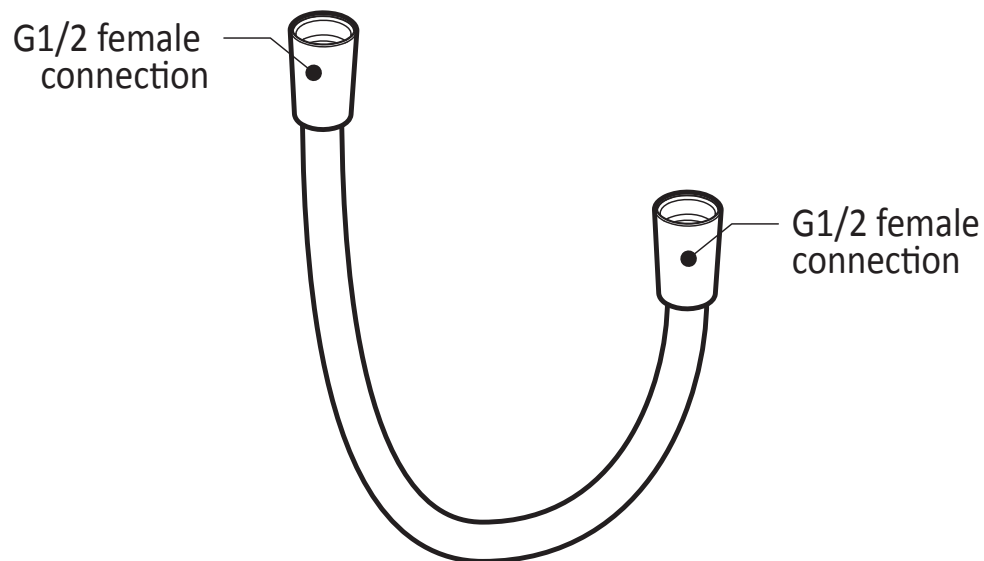
Installation Notes

This product must be installed following the installation instructions provided.

WARRANTY

Kalia Inc. guarantees all aspects of its products to be free of defects in material and workmanship for normal residential use. **Refer to the warranty included with the Kalia products for details.**

Product dimensions:



Important : Dimensions are approximated and are subject to changes. Please refer to the installation instructions.



Kalia

ONCE UPON A TIME...WATER®

1355, 2nd Street, Industrial Park
Sainte-Marie (Québec)
Canada G6E 1G9

T 418-387-9090
1-877-GO-KALIA (1-87-465-2542)
F 418 387-9089

KaliaStyle.com