

**BF1907-XXX**  
**PB4 Pressure Balance Shower System (without valve)**

**SPECIFICATIONS**



**Components included**

- 104849-XXX\*: Round decorative trim for ½" pressure balance valve with volume control and 2-way diverter – cartridge included
- 105008-XXX\*: 395 mm (15 9/16") 90° wall arm with round flange
- 105546-XXX\*: 200 mm (7 7/8") round rainhead
- BF1760-XXX\*: 2-jet handshower, wallbar and 60" flexible metal hose assembly
- 106192-XXX\*: Wall outlet

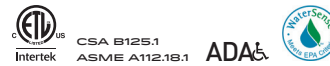
\* XXX means that the finish color must be specified.

**Colors (Finishes)**

- Chrome: BF1907-110
- Matte Black: BF1907-160

**Certifications**

The specified model meets or exceeds the following standards;



See the following sheets for the technical features of each component.

**Installation Notes**

This product must be installed following the installation instructions provided.

**WARRANTY**

Kalia Inc. guarantees all aspects of its products to be free of defects in material and workmanship for normal residential use. **Refer to the warranty included with the Kalia products for details.**

**Features**

- Solid brass construction
- Total adjustment of 25 mm (1")
- Pressure balance with volume control ceramic cartridge
- 2-way gradual diverter

**Colors (Finishes)**

- Chrome: 104849-110
- Matte black: 104849-160

**Maximum flow rate**

- 20.5 L/min (5.4 gpm) at 60 psi

**Certifications**

The specified model meets or exceeds the following standards;

ADA



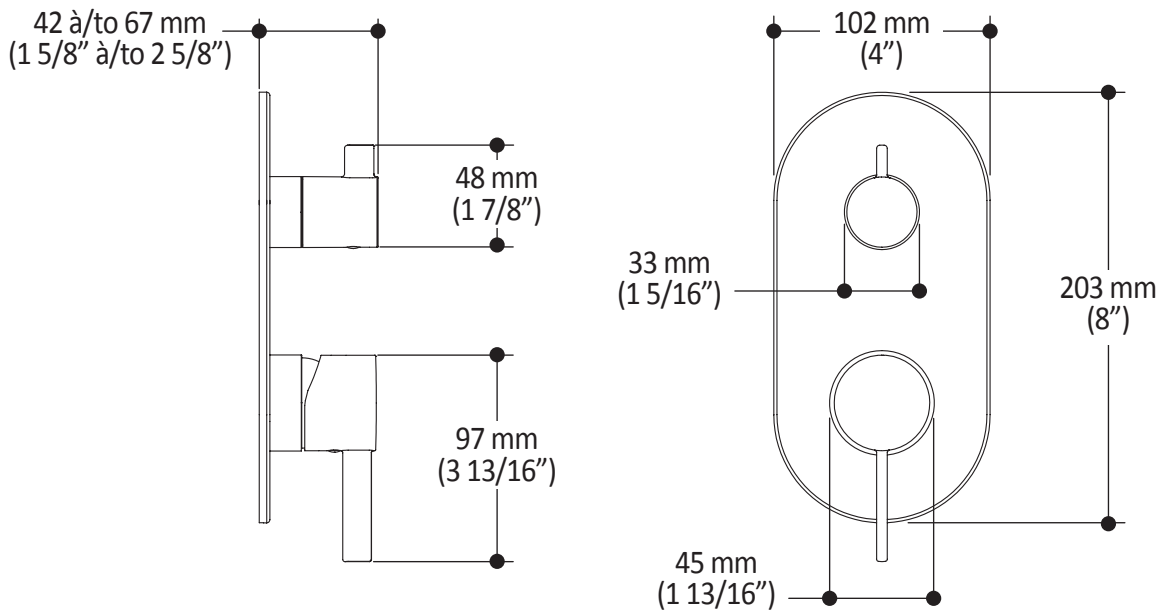
**Installation Notes**

This product must be installed following the installation instructions provided.

**WARRANTY**

Kalia Inc. guarantees all aspects of its products to be free of defects in material and workmanship for normal residential use. **Refer to the warranty included with the Kalia products for details.**

Product dimensions:



**Important:** Dimensions are approximated and are subject to changes. Please refer to the installation instructions.

**Features**

- Male water inlet 1/2NPT
- Male water outlet G1/2

**Color (Finish)**

- Chrome: 105008-110
- Matte black: 105008-160



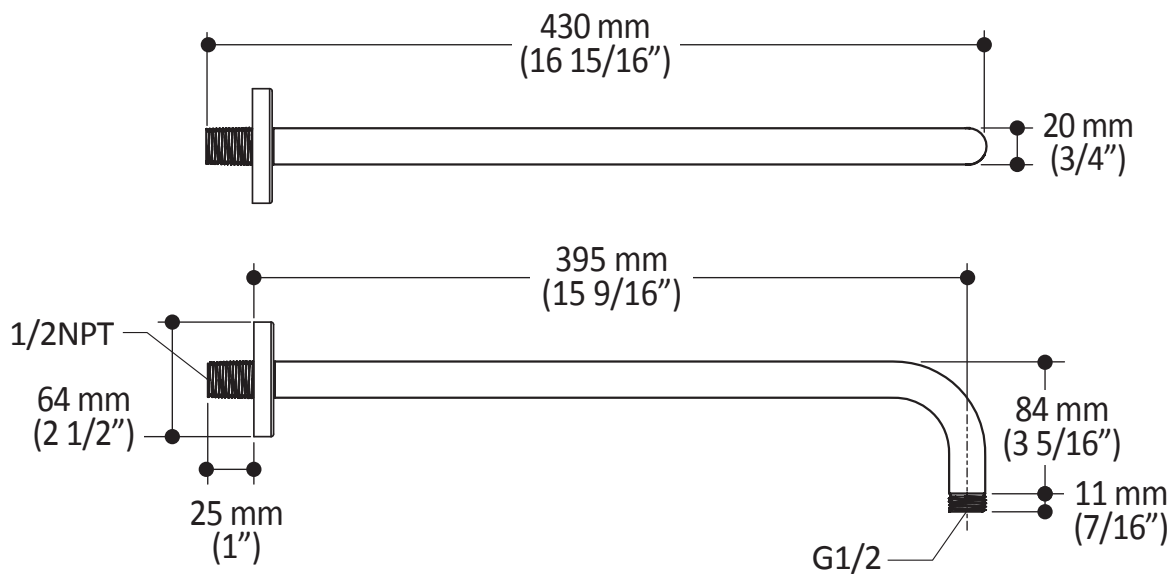
**Installation Notes**

This product must be installed following the installation instructions provided.

**WARRANTY**

Kalia Inc. guarantees all aspects of its products to be free of defects in material and workmanship for normal residential use. **Refer to the warranty included with the Kalia products for details.**

*Product dimensions:*



**Important:** Dimensions are approximated and are subject to changes. Please refer to the installation instructions.

**Features**

- Male water inlet 1/2NPT
- Diameter: 200 mm (7 7/8")
- Soft tips for easy cleaning of limescale
- Adjustable orientation swivel

**Colors (Finishes)**

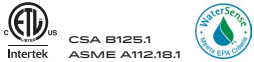
- Chrome: 105546-110
- Matte black: 105546-160

**Maximum flow rate**

- 7.6 L/min (2 gpm) at 80 psi

**Certifications**

The specified model meets or exceeds the following standards;



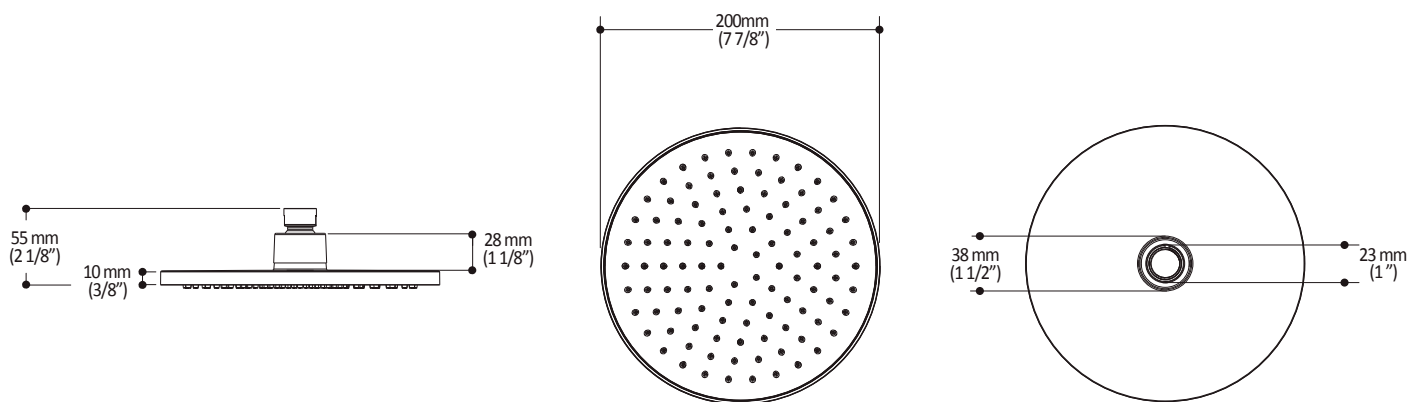
**Installation Notes**

This product must be installed following the installation instructions provided.

**WARRANTY**

Kalia Inc. guarantees all aspects of its products to be free of defects in material and workmanship for normal residential use. **Refer to the warranty included with the Kalia products for details.**

Product dimensions:



**Important :** Dimensions are approximated and are subject to changes. Please refer to the installation instructions.

**Features**

**2-jet handshower (105010-XXX) :**

- Diameter of 100 mm (4")
- Soft tips for easy cleaning of limescale
- Male water inlet G1/2
- 2 direct functions and 1 shared function

**Wallbar (105011-XXX) :**

- Total height of 700 mm (27 9/16")
- Easy to use sliding system
- Adjustable top bracket for easy installation
- Locking system

**60" flexible metal hose (105007-XXX) :**

- 1/2 female connection
- Integrated check valve

**Colors (Finishes)**

- Chrome: BF1760-110
- Matte black: BF1760-160

**Maximum flow rate**

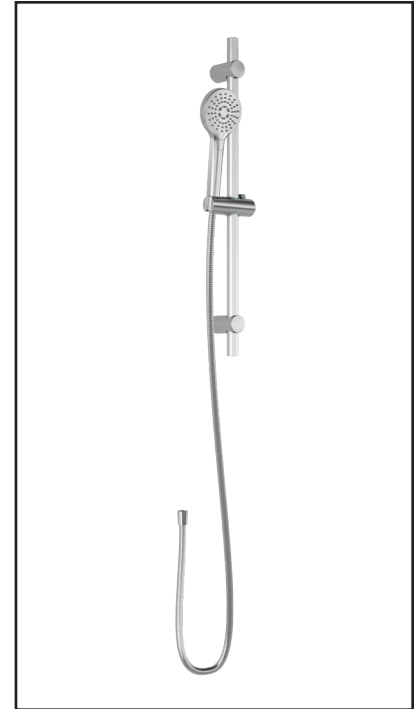
- 7.6 L/min (2 gpm) at 60 psi

**Certifications**

The specified model meets or exceeds the following standards;



CSA B125.1  
ASME A112.18.1



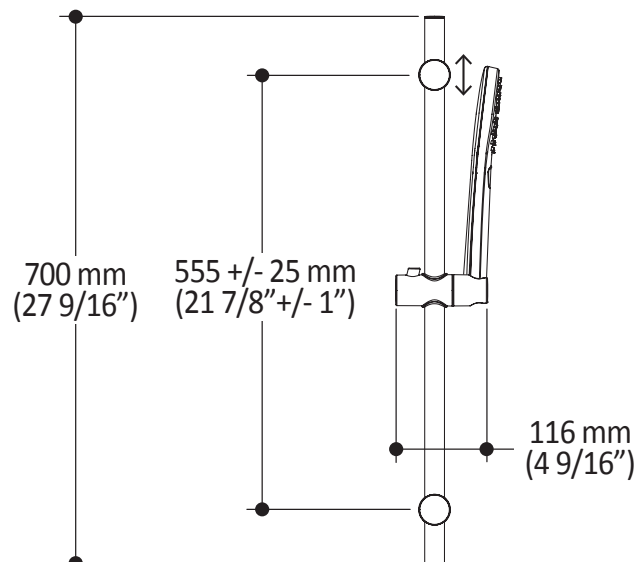
**Installation Notes**

This product must be installed following the installation instructions provided.

**WARRANTY**

Kalia Inc. guarantees all aspects of its products to be free of defects in material and workmanship for normal residential use. Refer to the warranty included with the Kalia products for details.

Product dimensions:



**Important :** Dimensions are approximated and are subject to changes. Please refer to the installation instructions.



ONCE UPON A TIME...WATER®

# 106192 Wall Outlet

## SPECIFICATIONS

### Features

- Solid brass construction
- Connector adjustable in depth for increased durability
- Female water inlet 1/2NPT
- Male water outlet G1/2

### Colors (Finishes)

- Chrome: 106192-110
- Pure Nickel PVD: 106192-125
- Matte Black: 106192-160
- Black: 106192-165

### Certifications

The specified model meets or exceeds the following standards;



### Installation Notes

This product must be installed following the installation instructions provided.

### WARRANTY

Kalia Inc. guarantees all aspects of its products to be free of defects in material and workmanship for normal residential use. **Refer to the warranty included with the Kalia products for details.**

Product dimensions:



**Important:** Dimensions are approximated and are subject to changes. Please refer to the installation instructions.



ONCE UPON A TIME...WATER®

1355, 2<sup>nd</sup> Street, Industrial Park  
Sainte-Marie (Québec)  
Canada G6E 1G9

T 418-387-9090  
1-877-GO-KALIA (1-877- 465-2542)  
F 418 387-9089

[KaliaStyle.com](http://KaliaStyle.com)