


**Features**

- Adapted to residences for seniors 
- Safe valve with temperature limit at 43°C
- Solid brass construction
- Total adjustment of 25 mm (1")
- Pressure balance thermostatic with volume control ceramic cartridge (Type T/P)

**Colors (Finishes)**

- Chrome: 106292-110

**Certifications**

The specified model meets or exceeds the following standards:

ADA



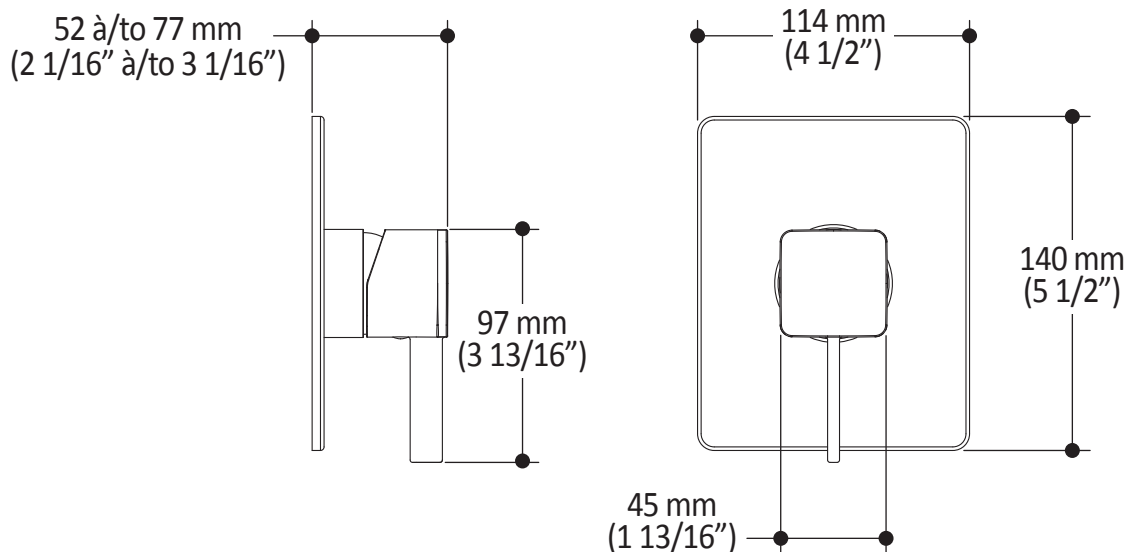
**Installation Notes**

This product must be installed following the installation instructions provided.

**WARRANTY**

Kalia Inc. guarantees all aspects of its products to be free of defects in material and workmanship for normal residential use. **Refer to the warranty included with the Kalia products for details.**

Product dimensions:



**Important:** Dimensions are approximated and are subject to changes. Please refer to the installation instructions.