



ONCE UPON A TIME...WATER®

MOROKA™

BF1925-XXX

TG2 Thermostatic Shower System (without valve)

SPECIFICATIONS



Components included

- 105952-XXX*: Decorative trim for Calgreen 2-way **AQUATONIK™** type T/P 1/2" valve with diverter
- BF1626-XXX*: Rainhead with 90° wall arm
- 104289-XXX*: 2-jet handheld shower (2 direct functions and 1 shared function)
- 103576-XXX*: Wallbar
- 101620-XXX*: 60" flexible and soft PVC hose
- 106193-XXX*: Wall outlet

**XXX means that the finish color must be specified.*

Colors (Finishes)

- Chrome: BF1925-110
- Matte black: BF1925-160

See the following sheets for the technical features of each component.

Installation Notes

This product must be installed following the installation instructions provided.

WARRANTY

Kalia Inc. guarantees all aspects of its products to be free of defects in material and workmanship for normal residential use. **Refer to the warranty included with the Kalia products for details.**



ONCE UPON A TIME...WATER®

1355, 2nd Street, Industrial Park
Sainte-Marie (Québec)
Canada G6E 1G9

T 418-387-9090
1-877-GO-KALIA (1-877-465-2542)
F 418 387-9089

KaliaStyle.com





ONCE UPON A TIME...WATER®

MOROKA™

105952

TD2/TG2 and TD3/TG3 decorative trim

SPÉCIFICATIONS

Features

- Solid brass construction
- Total adjustment of 30 mm (1 3/16")

Colors (Finishes)

- Chrome: 105952-110
- Matte black: 105952-160

Certifications

The specified model meets or exceeds the following standards;



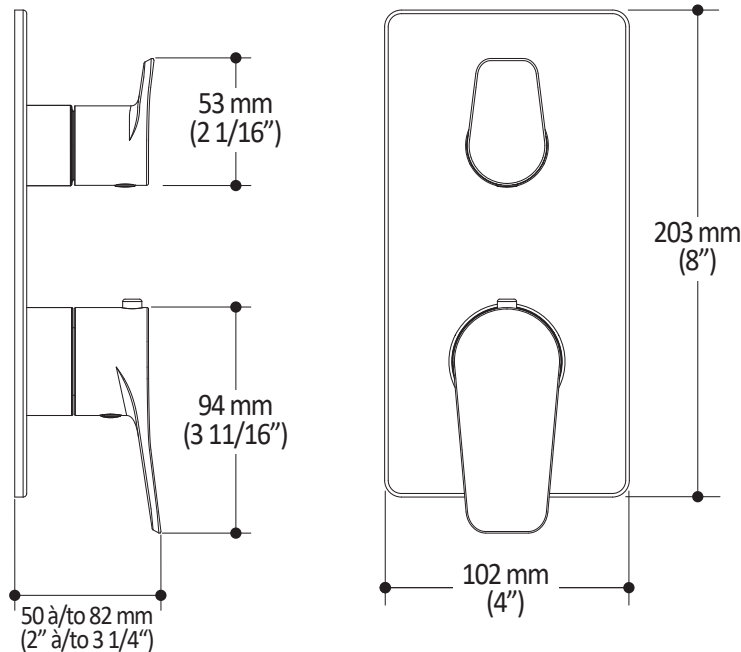
Installation Notes

This product must be installed following the installation instructions provided.

WARRANTY

Kalia Inc. guarantees all aspects of its products to be free of defects in material and workmanship for normal residential use. Refer to the warranty included with the Kalia products for details.

Product dimensions:



Important: Dimensions are approximated and are subject to changes. Please refer to the installation instructions.



ONCE UPON A TIME...WATER®

1355, 2nd Street, Industrial Park
Sainte-Marie (Québec)
Canada G6E 1G9

T 418-387-9090
1-877-GO-KALIA (1-87- 465-2542)
F 418 387-9089

KaliaStyle.com





ONCE UPON A TIME...WATER®

104289

2-jet handshower

SPECIFICATIONS

Features

- Male water inlet G1/2
- Dimension: 80 mm (3 1/8") x 110 (4 3/8")
- 2 direct functions and 1 shared function
- Soft tips for easy cleaning of limescale

Colors (Finishes)

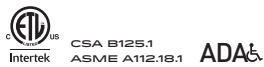
- Chrome: 104289-110
- Pure Nickel PVD: 104289-125
- Matte Black: 104289-160

Maximum flow rate

- 7.6 L/min. (2 gpm) at 80 psi

Certifications

The specified model meets or exceeds the following standards;



Installation Notes

This product must be installed following the installation instructions provided.

WARRANTY

Kalia Inc. guarantees all aspects of its products to be free of defects in material and workmanship for normal residential use. Refer to the warranty included with the Kalia products for details.

Product dimensions:



Important : Dimensions are approximated and are subject to changes. Please refer to the installation instructions.



ONCE UPON A TIME...WATER®

1355, 2nd Street, Industrial Park
Sainte-Marie (Québec)
Canada G6E 1G9

T 418-387-9090
1-877-GO-KALIA (1-87- 465-2542)
F 418 387-9089

KaliaStyle.com



ONCE UPON A TIME...WATER®

103576

Wallbar for handshower

SPÉCIFICATIONS

Features

- Total height of 775 mm (30 1/2")
- Easy-to-use gliding system
- Locking system

Colors (Finishes)

- Chrome: 103576-110
- Pure Nickel PVD: 103576-125
- Matte Black: 103576-160



Installation Notes

This product must be installed following the installation instructions provided.

WARRANTY

Kalia Inc. guarantees all aspects of its products to be free of defects in material and workmanship for normal residential use. **Refer to the warranty included with the Kalia products for details.**

Product dimensions:



Important : Dimensions are approximated and are subject to changes. Please refer to the installation instructions.



ONCE UPON A TIME...WATER®

1355, 2nd Street, Industrial Park
Sainte-Marie (Québec)
Canada G6E 1G9

T 418-387-9090
1-877-GO-KALIA (1-87- 465-2542)
F 418 387-9089

KaliaStyle.com





Kalia

ONCE UPON A TIME...WATER®

106193 Wall Outlet

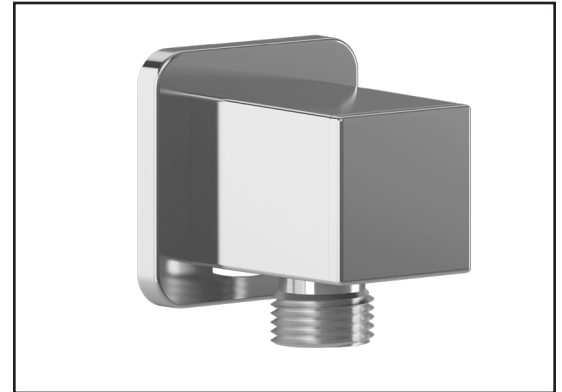
SPÉCIFICATIONS

Features

- Female water inlet 1/2NPT
- Male water outlet G1/2
- Connector adjustable in depth
- PVD finish (Physical Vapour Deposit): A high technology process that protects the surface finish for increased durability

Colors (Finishes)

- Chrome: 106193-110
- Pure nickel PVD: 106193-125
- Matte black: 106193-160



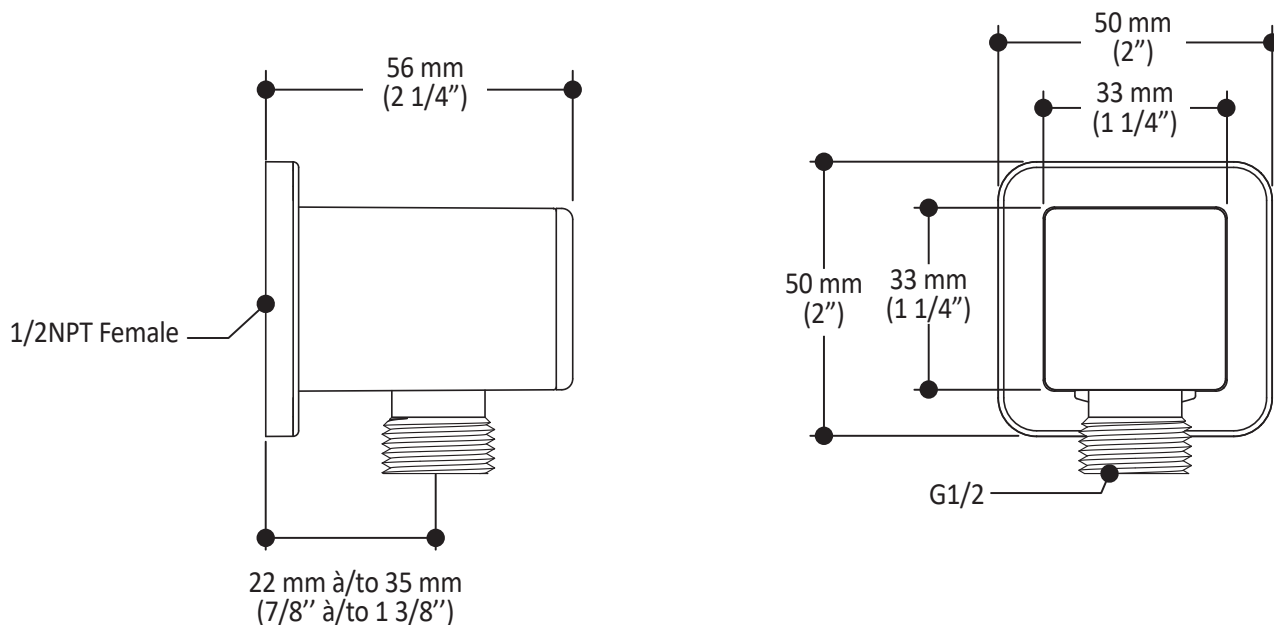
Installation Notes

This product must be installed following the installation instructions provided.

WARRANTY

Kalia Inc. guarantees all aspects of its products to be free of defects in material and workmanship for normal residential use. **Refer to the warranty included with the Kalia products for details.**

Product dimensions:



Important: Dimensions are approximated and are subject to changes. Please refer to the installation instructions.



Kalia

ONCE UPON A TIME...WATER®

1355, 2nd Street, Industrial Park
Sainte-Marie (Québec)
Canada G6E 1G9

T 418-387-9090
1-877-GO-KALIA (1-87- 465-2542)
F 418 387-9089

KaliaStyle.com

