



ONCE UPON A TIME...WATER®

**ROUNDONE™**

**BF1577**

2-way AQUATONIK™ type T/P 1/2" valve with diverter and decorative trim

**SPÉCIFICATIONS**

**Features**

- 2 male water inlets 1/2NPT threaded or welded
- 2 male water outlets 1/2NPT threaded or welded
- Solid brass construction
- Total adjustment of 32 mm (1 1/4")
- Can be installed back to back
- Support included for better stability during installation
- Operates 1 or 2 components at a time

**Colors (Finishes)**

- Chrome: BF1577-110
- Pure Nickel PVD: BF1577-125
- Matte Black: BF1577-160

**Maximum flow rate**

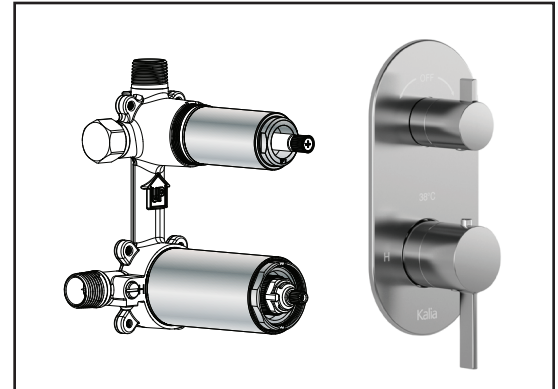
- 1 outlet: 22 L/min (5.9 gpm) at 60 psi
- 2 outlets: 23.5 L/min (6.21 gpm) at 60 psi

**Certifications**

The specified model meets or exceeds the following standards;



CSA B125.1  
ASME A112.18.1  
ICC A117.1



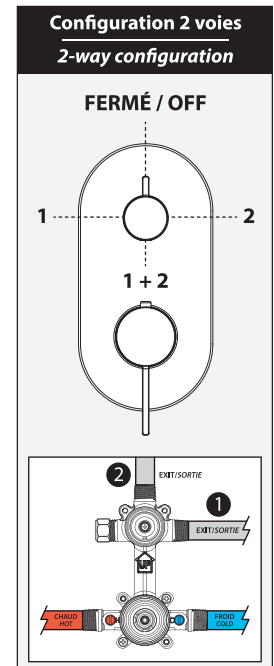
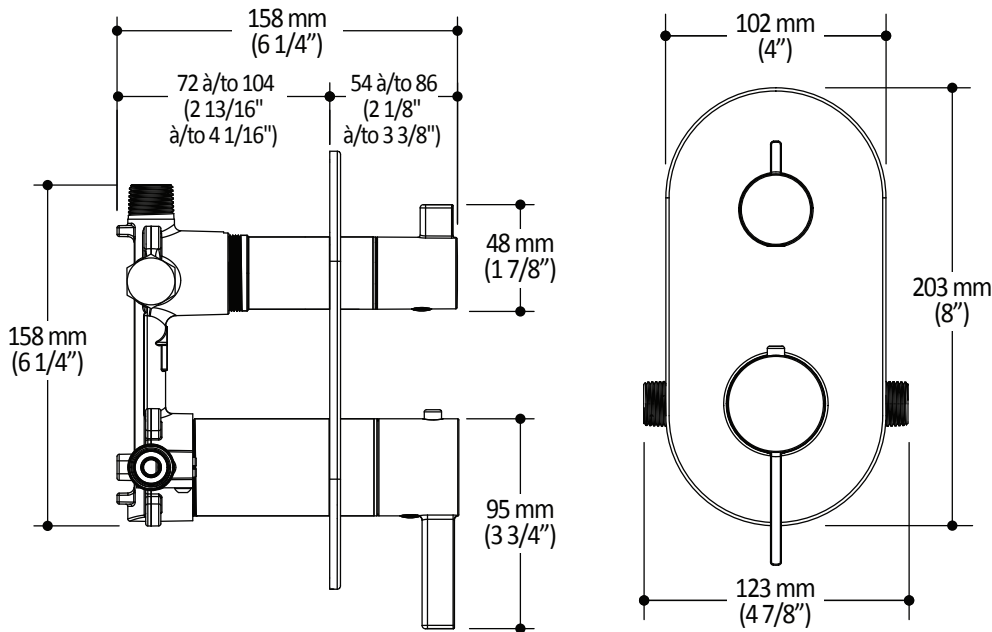
**Installation Notes**

This product must be installed following the installation instructions provided.

**WARRANTY**

Kalia Inc. guarantees all aspects of its products to be free of defects in material and workmanship for normal residential use. Refer to the warranty included with the Kalia products for details.

Product dimensions:



Important: Dimensions are approximated and are subject to changes. Please refer to the installation instructions.



ONCE UPON A TIME...WATER®

1355, 2<sup>e</sup> Rue du Parc industriel  
Sainte-Marie (Québec)  
Canada G6E 1G9

T 418-387-9090  
1-877-GO-KALIA (1-877-465-2542)  
F 418 387-9089

kaliastyle.com