



ONCE UPON A TIME...WATER®

**GRAFIK™**

**BF1448-110**

**STANDARD: TG2 Thermostatic Shower System**

***SPECIFICATIONS***



### Components included

- BF1307-110: AQUATONIK™ type T/P 1/2" valve and decorative trim
- BF1607-110: CalGreen 2-way 1/2" diverter and decorative trim (operates 1 component at a time)
- BF1392-110: Rainhead with 90° wall arm
- 103574-110: 2-jet handshower (2 direct functions and 1 shared function)
- 103576-110: Wallbar
- 101620-110: 60" flexible and soft PVC hose
- 106193-110: Wall outlet

### Colors (Finishes)

- Chrome: BF1448-110

### Certifications

*The specified model meets or exceeds the following standards;*



*See the following sheets for the technical features of each component.*

### Installation Notes

This product must be installed following the installation instructions provided.

### WARRANTY

Kalia Inc. guarantees all aspects of its products to be free of defects in material and workmanship for normal residential use. **Refer to the warranty included with the Kalia products for details.**



ONCE UPON A TIME...WATER®

1355, 2<sup>nd</sup> Street, Industrial Park  
Sainte-Marie (Québec)  
Canada G6E 1G9

T 418-387-9090  
1-877-GO-KALIA (1-877- 465-2542)  
F 418 387-9089

**KaliaStyle.com**



# Kalia

ONCE UPON A TIME...WATER®

## GRAFIK™

### BF1392

#### STANDARD: Rainhead with 90° Wall arm

#### SPECIFICATIONS

#### Features

- Male water inlet 1/2 NPT
- Rainhead dimension: 195 mm (7 11/16")
- Soft tips for easy cleaning of limescale
- Adjustable orientation swivel
- Solid brass arm and plastic rainhead construction

#### Colors (Finishes)

- Chrome : BF1392-110

#### Maximum flow rate

- 7.6 L/min (2 gpm) at 80 psi

#### Certifications

The specified model meets or exceeds the following standards:



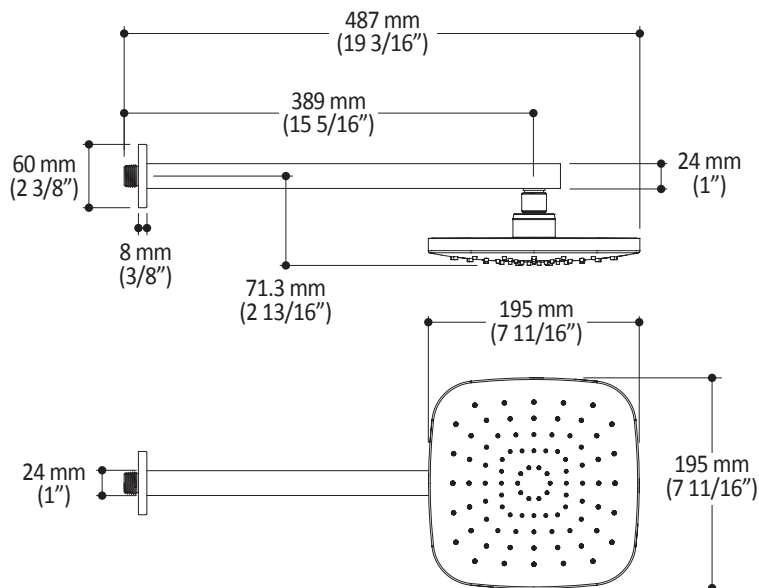
#### Installation Notes

This product must be installed following the installation instructions provided.

#### WARRANTY

Kalia Inc. guarantees all aspects of its products to be free of defects in material and workmanship for normal residential use. **Refer to the warranty included with the Kalia products for details.**

#### Product dimensions:



**Important:** Dimensions are approximated and are subject to changes. Please refer to the installation instructions.



# Kalia

ONCE UPON A TIME...WATER®

1355, 2<sup>e</sup> Rue du Parc industriel  
Sainte-Marie (Québec)  
Canada G6E 1G9

T 418-387-9090  
1-877-GO-KALIA (1-877-465-2542)  
F 418 387-9089

[kaliastyle.com](http://kaliastyle.com)



ONCE UPON A TIME...WATER®

# 103574 STANDARD: 2-jet handshower

## SPÉCIFICATIONS

### Features

- Dimension: 106 mm (4 3/16")
- Anti-scale system with soft sprays
- Male water inlet G1/2
- 2 direct functions and 1 shared function
- Plastic construction

### Colors (Finishes)

- Chrome : 103574-110

### Maximum flow rate

- 7.6 L/min. (2 gpm) at 80 psi

### Certifications

The specified model meets or exceeds the following standards;



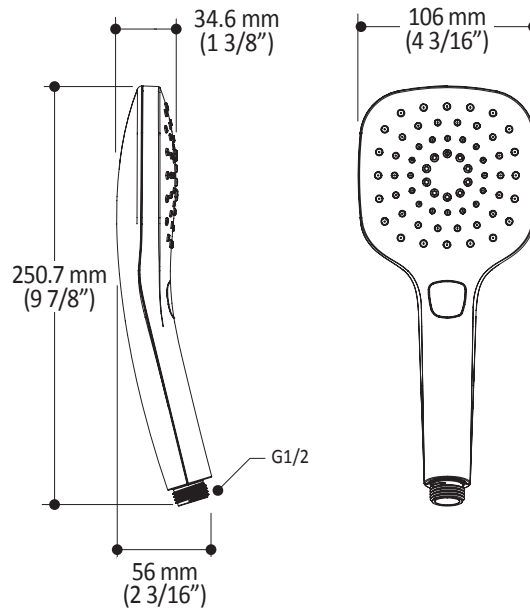
### Installation Notes

This product must be installed following the installation instructions provided.

### WARRANTY

Kalia Inc. guarantees all aspects of its products to be free of defects in material and workmanship for normal residential use. **Refer to the warranty included with the Kalia products for details.**

Product dimensions:



**Important:** Dimensions are approximated and are subject to changes. Please refer to the installation instructions.



ONCE UPON A TIME...WATER®

1355, 2<sup>nd</sup> Street, Industrial Park  
Sainte-Marie (Québec)  
Canada G6E 1G9

T 418-387-9090  
1-877-GO-KALIA (1-87- 465-2542)  
F 418 387-9089

[KaliaStyle.com](http://KaliaStyle.com)



ONCE UPON A TIME...WATER®

103576

Wallbar for handshower

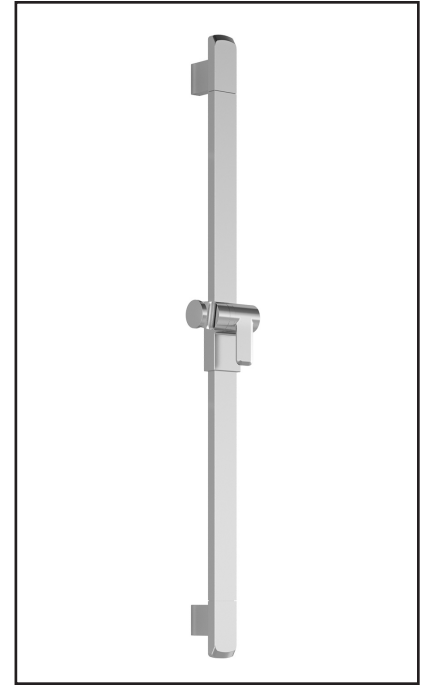
*SPÉCIFICATIONS*

**Features**

- Total height of 775 mm (30 1/2")
- Easy-to-use gliding system
- Locking system

**Colors (Finishes)**

- Chrome: 103576-110
- Pure Nickel PVD: 103576-125
- Matte Black: 103576-160



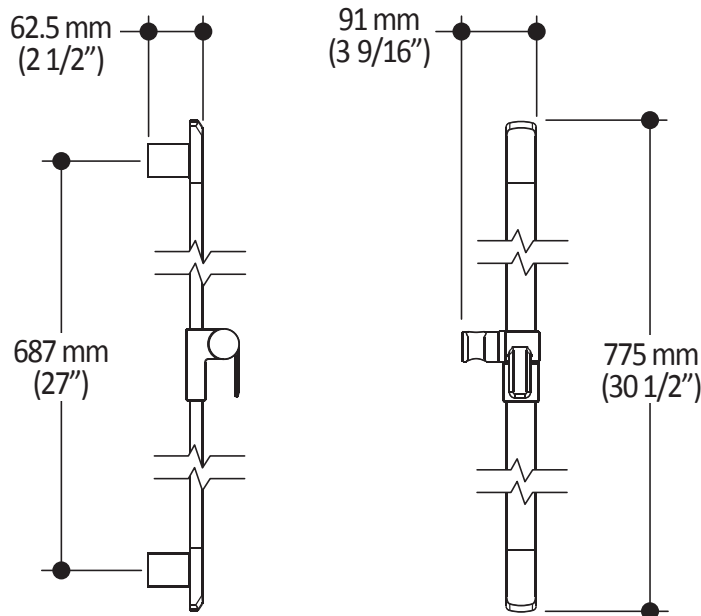
**Installation Notes**

This product must be installed following the installation instructions provided.

**WARRANTY**

Kalia Inc. guarantees all aspects of its products to be free of defects in material and workmanship for normal residential use. Refer to the warranty included with the Kalia products for details.

*Product dimensions:*



**Important :** Dimensions are approximated and are subject to changes. Please refer to the installation instructions.



ONCE UPON A TIME...WATER®

1355, 2<sup>nd</sup> Street, Industrial Park  
Sainte-Marie (Québec)  
Canada G6E 1G9

T 418-387-9090  
1-877-GO-KALIA (1-87- 465-2542)  
F 418 387-9089

KaliaStyle.com





ONCE UPON A TIME...WATER®

GRAFIK™

BF1307

AQUATONIK™ type T/P 1/2" valve and decorative trim

SPECIFICATIONS

Features

- Solid brass construction
- No visible screw
- Integrated service stops with check valve
- Male water inlet 1/2NPT threaded or welded
- Can be installed back-to-back
- Total adjustment of 19 mm (3/4")

Colors (Finishes)

- Chrome : BF1307-110

Certifications

The specified model meets or exceeds the following standards;

- ASME A112.18.1 / CSA B125.1
- ICC A117.1



Packaging

- **Dimensions:** 370 mm x 190 mm x 205 mm (14 5/8 x 7 1/2 x 8 1/8)
- **Volume:** 0.014 cu m (0.51 cu ft)
- **Total weight:** 2.48 kg (5.47 lb)

Maximum flow rate

- 30 liters/min. (7.9 gallons/min.) at 60 psi



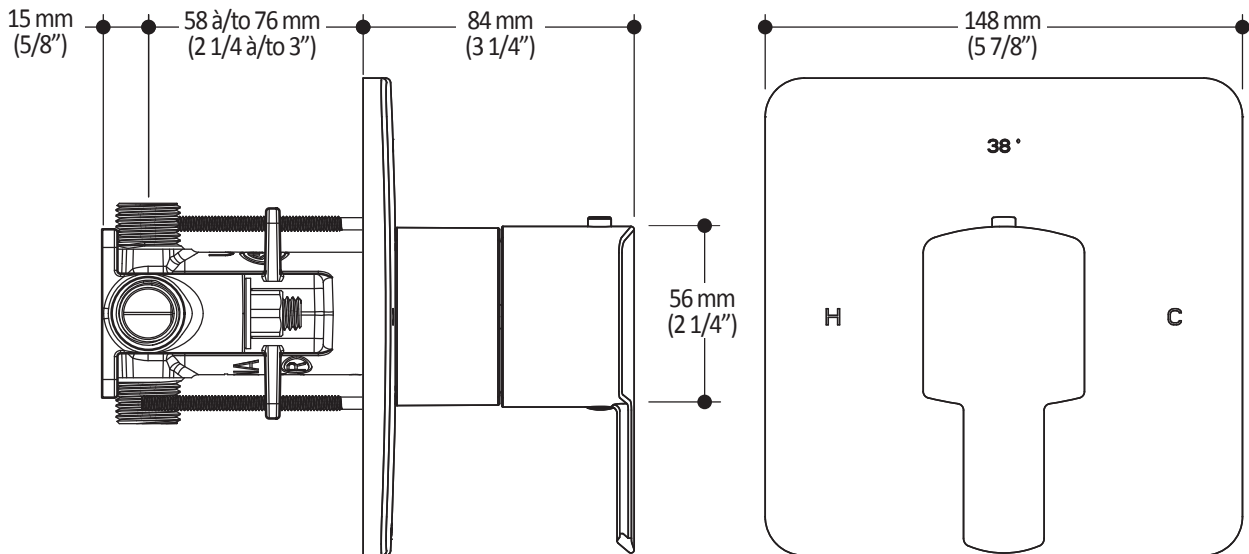
Installation Notes

This product must be installed following the installation instructions provided.

WARRANTY

Kalia Inc. guarantees all aspects of its products to be free of defects in material and workmanship for normal residential use. Refer to the warranty included with the Kalia products for details.

Product dimensions:



Important: Dimensions are approximated and are subject to changes. Please refer to the installation instructions.



ONCE UPON A TIME...WATER®

1355, 2<sup>e</sup> Rue, Parc industriel  
Sainte-Marie (Québec)  
Canada G6E 1G9

T 418-387-9090  
1-877-GO-KALIA (1-877-465-2542)  
F 418 -87-9089

KaliaStyle.com





ONCE UPON A TIME...WATER®

GRAFIK™

# BF1607 CalGreen 2-way 1/2" diverter and Decorative Trim

## SPECIFICATIONS

### Features

- Solid brass construction
- No visible screw
- Male water inlet 1/2NPT threaded or welded
- Total adjustment of 19 mm (3/4")
- Support for better stability during installation included
- Operates 1 component at a time

### Colors (Finishes)

- Chrome : BF1607-110

### Certifications

The specified model meets or exceeds the following standards;



### Packaging

- **Dimensions :**  
315 mm x 125 mm x 115 mm  
(12 3/8" x 4 7/8" x 4 1/2")
- **Volume:** 0.004 cu m (0.16 cu ft)
- **Total weight:** 1.22 kg (2.69 lb)

### Maximum flow rate

- 1 outlet: 16 liters/min.  
(4.3 gallons/min.) at 60 psi



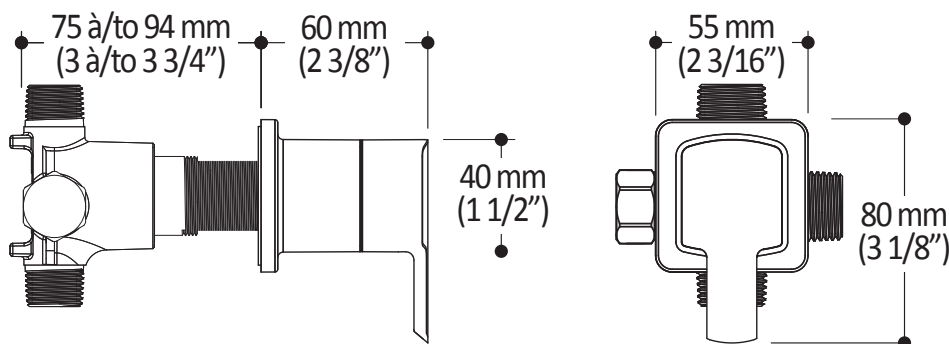
### Installation Notes

This product must be installed following the installation instructions provided.

### WARRANTY

Kalia Inc. guarantees all aspects of its products to be free of defects in material and workmanship for normal residential use. Refer to the warranty included with the Kalia products for details.

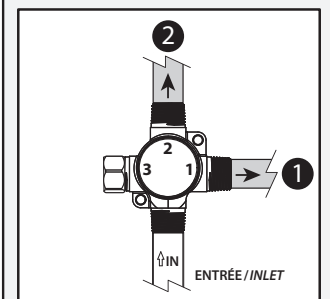
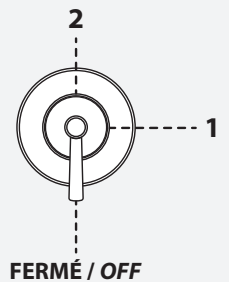
Product dimensions:



**Important:** Dimensions are approximated and are subject to changes. Please refer to the installation instructions.

### Configuration 2 voies (CalGreen)

2-way configuration  
(CalGreen)



ONCE UPON A TIME...WATER®

1355, 2<sup>nd</sup> Street, Industrial Park  
Sainte-Marie (Québec)  
Canada G6E 1G9

T 418-387-9090  
1-877-GO-KALIA (1-87- 465-2542)  
F 418 387-9089

KaliaStyle.com





ONCE UPON A TIME...WATER®

# 106193 Wall Outlet

## SPÉCIFICATIONS

### Features

- Female water inlet 1/2NPT
- Male water outlet G1/2
- Connector adjustable in depth
- PVD finish (Physical Vapour Deposit): A high technology process that protects the surface finish for increased durability

### Colors (Finishes)

- Chrome: 106193-110
- Pure nickel PVD: 106193-125
- Matte black: 106193-160



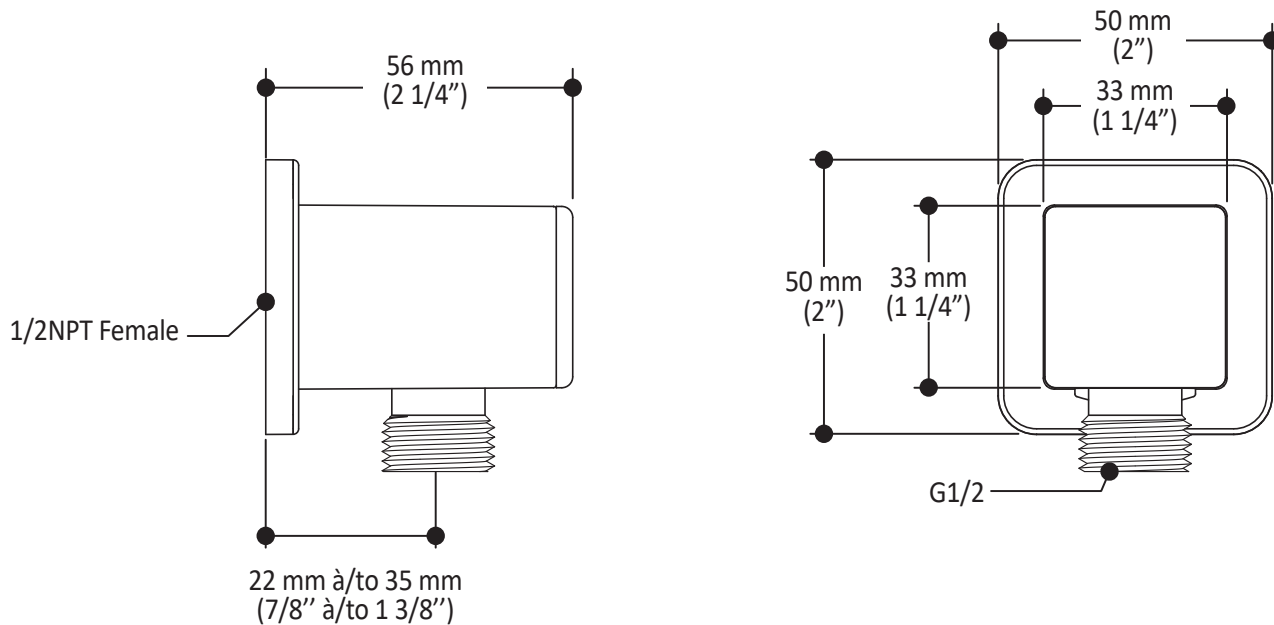
### Installation Notes

This product must be installed following the installation instructions provided.

### WARRANTY

Kalia Inc. guarantees all aspects of its products to be free of defects in material and workmanship for normal residential use. **Refer to the warranty included with the Kalia products for details.**

Product dimensions:



**Important:** Dimensions are approximated and are subject to changes. Please refer to the installation instructions.



ONCE UPON A TIME...WATER®

1355, 2<sup>nd</sup> Street, Industrial Park  
Sainte-Marie (Québec)  
Canada G6E 1G9

T 418-387-9090  
1-877-GO-KALIA (1-87- 465-2542)  
F 418 387-9089

KaliaStyle.com

