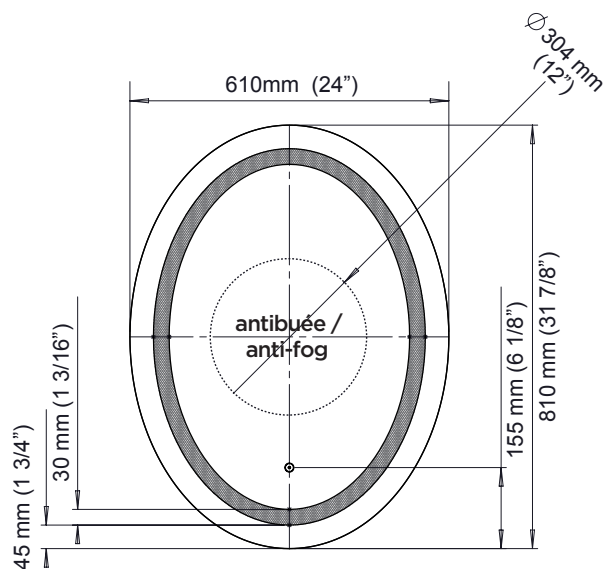





Effect

Illuminated LED mirror with interior frosted Strip



-  Frosted Strip
-  Touch switch

FEATURES

Code	MR1664-500-001
Packaging mm (in)	940 x 720 x 90 (37 x 28.3 x 3.5)
Mirror thickness	4 mm
Weight kg (lb)	9 (19.8)
Certification	cUL_{us}
Anti-fog system	Included
Magnifying mirror (3X)	Not available
Reversible 	Yes
Total thickness	44 mm +/- 1 mm (1 3/4")

LIGHTING

Power (watt)	39 W
Input (volt)	120 V
Dimmable	Non
Lumens	1300 lm
2 tones touch switch	3000k (warm white) 5000k (cool blue)
Frequency	60 Hz
Color Rendering Index (CRI)	90+