

Features

- Rectangular shower base for alcove installation
- **Anti-leak design with threshold designed to eliminate water infiltrations**
- Fiberglass reinforced acrylic
- Sturdy construction for strength and stability
- Self-leveling support legs for easy installation
- 1219 mm x 914 mm (48" x 36")
- Ultra-thin 64 mm (2 1/2") threshold
- Central drain
- Integrated tiling flanges on 3 walls

Color (Finish)

- White: BW1279-240

Certifications

The specified model meets or exceeds the following standards;



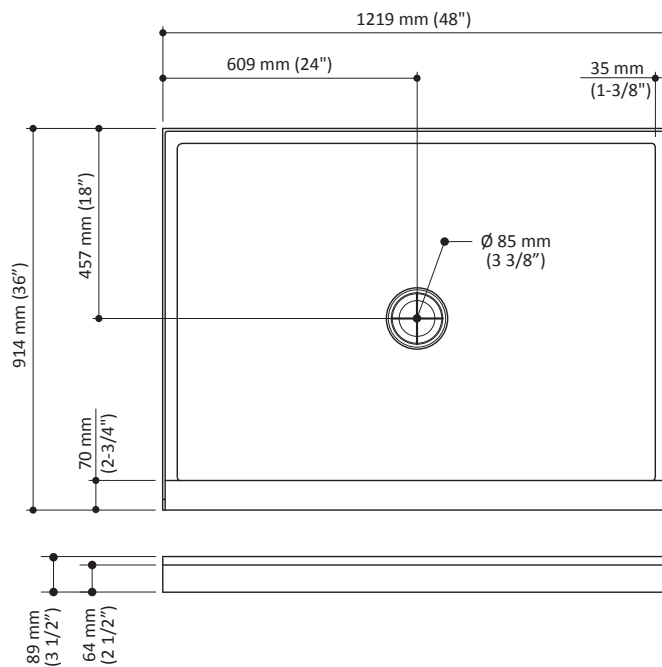
Installation Notes

This product must be installed following the installation instructions provided.

WARRANTY

Kalia Inc. guarantees all aspects of its products to be free of defects in material and workmanship for normal residential use. **Refer to the warranty included with the Kalia products for details.**

Product dimensions:



Important: Dimensions are approximated and are subject to changes. Please refer to the installation instructions.