



NERIS™

AC1049

Soap Dispenser

SPECIFICATIONS

Features

- Solid brass construction
- Press down pump action
- Refillable from above deck
- Contains up to 340 ml (11.5 oz)

Colors (Finishes)

- Chrome: AC1049-110
- Stainless Steel: AC1049-130

Packaging

- Dimensions: 324mm x 133mm x 67mm
(12 3/4" x 5 1/4" x 2 3/4")
- Volume: 0.11 cu.ft (0.003 cu.m)
- Poids total : 1.86 lb (0.84 kg)



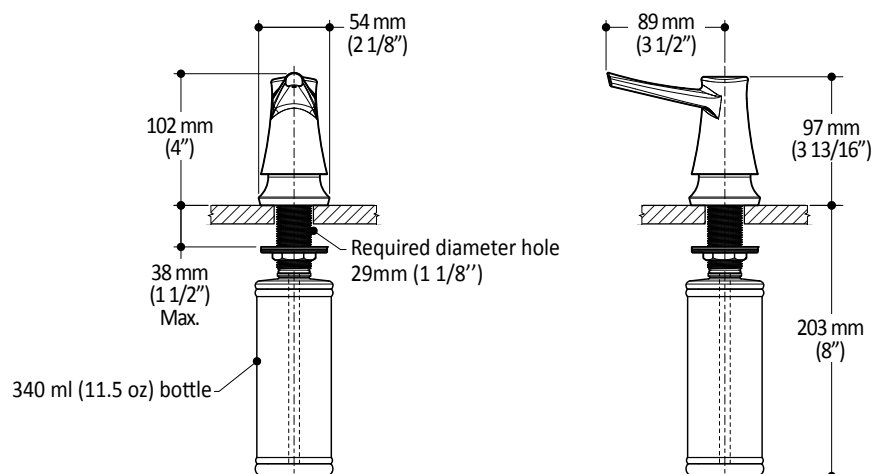
Installation Notes

This product must be installed following the installation instructions provided.

WARRANTY

Kalia Inc. guarantees all aspects of its products to be free of defects in material and workmanship for normal residential use. **Refer to the warranty included with the Kalia products for details.**

Product dimensions:



Important: Dimensions are approximated and are subject to changes. Please refer to the installation instructions.

Kalia inc.
1355, 2nd Street
Sainte-Marie (Quebec)
Canada G6E 1G9

Tel.: 1-418-387-9090
1 877 GO KALIA (1-877-465-2542)
Fax: 1-418-387-9089
www.kaliastyle.com