



ONCE UPON A TIME...WATER®

103994

2-way AQUATONIK™ type T/P 1/2" coaxial valve with diverter

SPECIFICATIONS

Features

- 2 male water inlets 1/2NPT threaded or welded
- 2 male water outlets 1/2NPT threaded or welded
- Solid brass construction
- Total adjustment of 32 mm (1 1/4")
- Can be installed back to back
- Support included for better stability during installation

Colors (Finishes)

- Chrome: 103994-110

Packaging

- **Dimensions:** 195 mm x 140 mm x 185 mm (7 5/8" x 5 1/2" x 7 1/4")
- **Volume:** 0.005 cu m (0.17 cu ft)
- **Total weight:** 5.88 kg (12.96 lb)

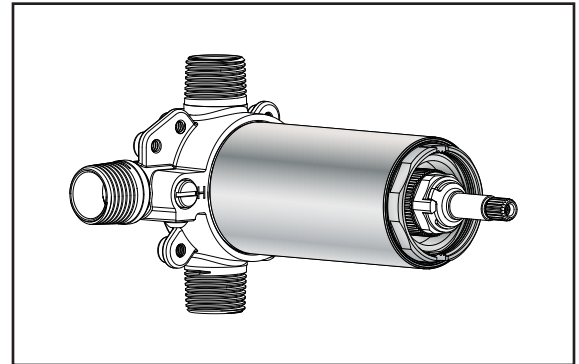
Maximum flow rate

- 1 outlet: 25 liters/min. (6.6 gallons/min.) at 60 psi
- 2 outlets: 29 liters/min. (7.7 gallons/min.) at 60 psi

Certifications

The specified model meets or exceeds the following standards:

- ASME A112.18.1 / CSA B125.1
- ICC A117.1



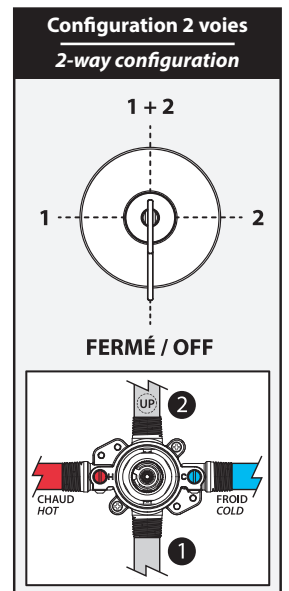
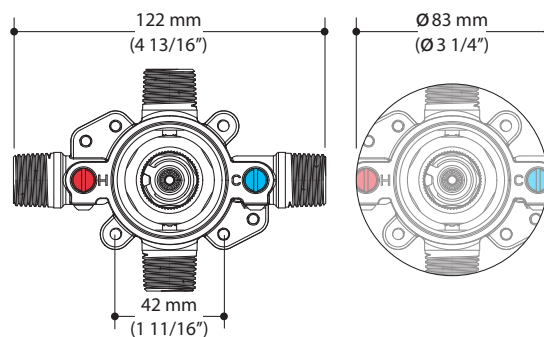
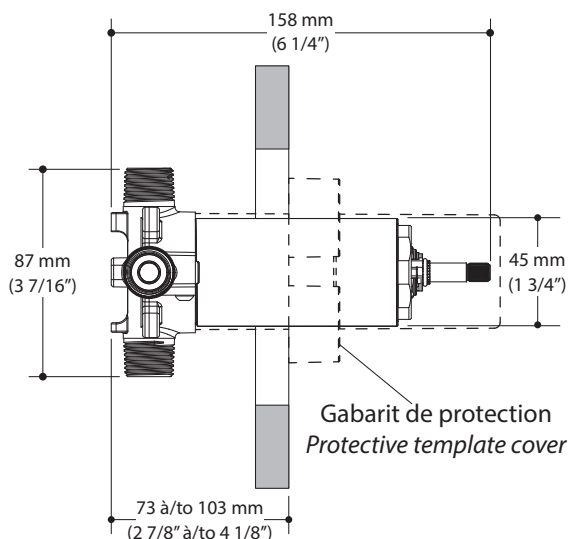
Installation Notes

This product must be installed following the installation instructions provided.

WARRANTY

Kalia Inc. guarantees all aspects of its products to be free of defects in material and workmanship for normal residential use. Refer to the warranty included with the Kalia products for details.

Product dimensions:



Important: Dimensions are approximated and are subject to changes. Please refer to the installation instructions.



ONCE UPON A TIME...WATER®

1355, 2<sup>nd</sup> Street  
Sainte-Marie (Quebec)  
Canada G6E 1G9

T 418-387-9090  
1-877-GO-KALIA (1-877-465-2542)  
F 418-387-9089

KaliaStyle.com

