



ONCE UPON A TIME...WATER®

GRAFIK™

103226

90° Wall arm

SPECIFICATIONS

**Features**

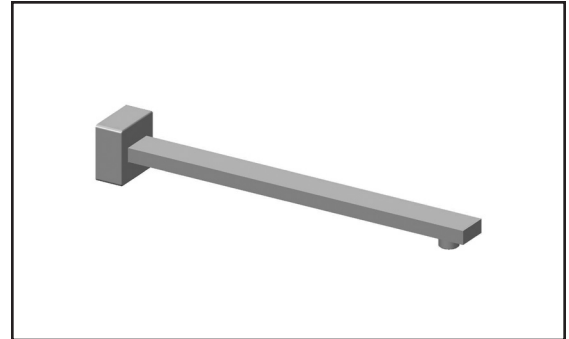
- Male water inlet 1/2NPT
- Male water outlet G1/2
- Adjustable wall flange

**Colors (Finishes)**

- Chrome : 103226-110

**Packaging**

- **Dimensions:** 425 mm x 65 mm x 65 mm  
(16 3/4" x 2 1/2" x 2 1/2")
- **Volume:** 0.0018 cu m (0.06 cu ft)
- **Total weight:** 1.45 lb (0.66 kg)



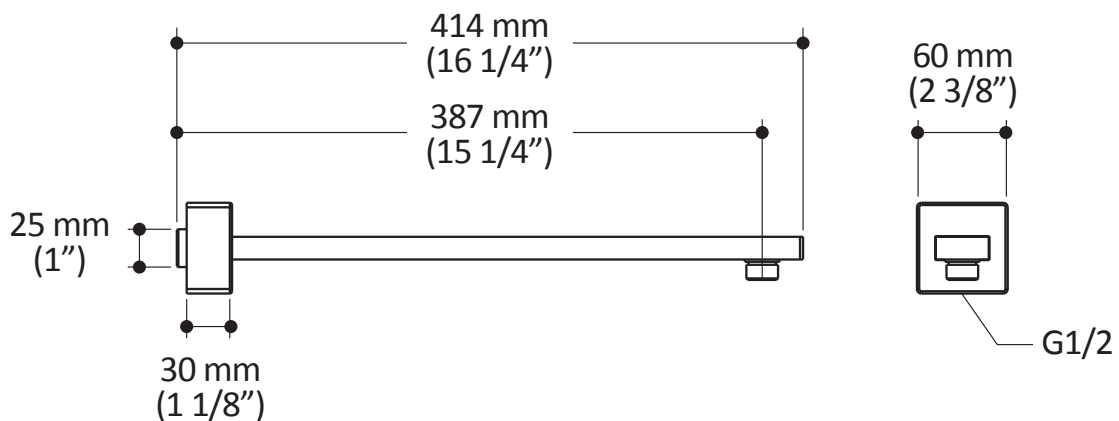
**Installation Notes**

This product must be installed following the installation instructions provided.

**WARRANTY**

Kalia Inc. guarantees all aspects of its products to be free of defects in material and workmanship for normal residential use. **Refer to the warranty included with the Kalia products for details.**

Product dimensions:



**Important:** Dimensions are approximated and are subject to changes. Please refer to the installation instructions.



ONCE UPON A TIME...WATER®

1355, 2<sup>e</sup> Rue, Parc industriel  
Sainte-Marie (Québec)  
Canada G6E 1G9

T 418-387-9090  
1-877-GO-KALIA (1-877-465-2542)  
F 418 -87-9089

KaliaStyle.com

