

Eclipse

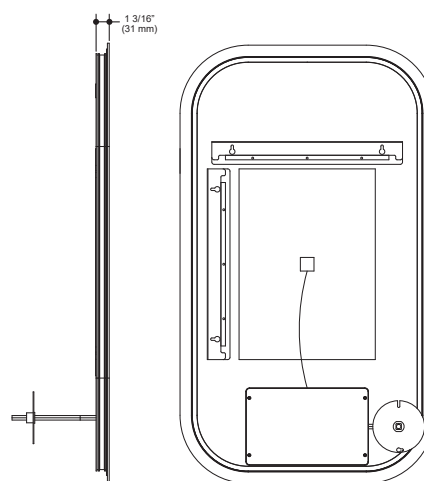
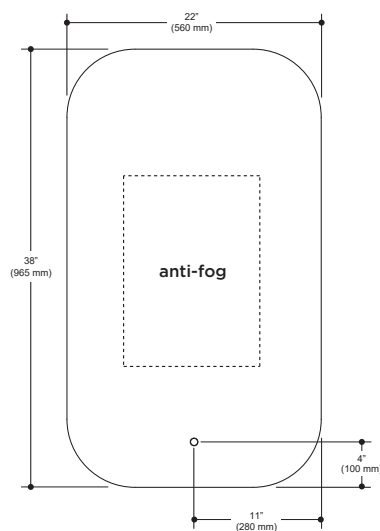
Indirect illuminated LED rectangular with rounded corners mirrors with touch-switch for color temperature control



22" x 38"
(560 mm x 965 mm)

FEATURES	
Model #	MR2106-570-001
Packaging mm (in)	1075 x 675 x 115 (42.38 x 26.5 x 4.5)
Mirror thickness	4 mm
Weight kg (lb)	9.1 (20)
Certification	
Anti-fog system	Included
Magnifying mirror (3X)	Not available
Réversible	Yes
Total thickness	30 mm (1 3/16")
Automatically opens with wall switch	Yes
Frame	Frameless (white finish back structure)

LIGHTING	
Power (watt)	48 W
Input (volt)	120 V
Lumens	1843 lm
Color temperature controlled by maintaining the touch-switch	from 2700k to 6000k
Frequency	60 Hz
Color Rendering Index (CRI)	90+



- Touch Switch
- Frosted strip
- Anti-fog