

**BF2096-XXX-101****PLUS: TB2 Thermostatic Shower System (without valve)****SPECIFICATIONS****Components included**

- 106835-XXX\*: Decorative trim for 2-way AQUATONIK™ type T/P 1/2" push-button valve
  - BF2154-XXX\*: Rainhead with vertical ceiling arm
  - 107383-XXX\*: 3-jet handshower (mist spray, rain spray and massage spray)
  - 103577-XXX\*: Wallbar
  - 106192-XXX\*: Wall outlet
  - 101620-XXX\*: 60" flexible and soft PVC hose
- \*XXX means that the finish color must be specified.*

**Colors (Finishes)**

- Chrome: BF2096-**110**-101
- Pure Nickel PVD: BF2096-**125**-101
- Matte Black: BF2096-**160**-101

*See the following sheets for the technical features of each component.*

**Installation Notes**

This product must be installed following the installation instructions provided.

**WARRANTY**

Kalia Inc. guarantees all aspects of its products to be free of defects in material and workmanship for normal residential use. **Refer to the warranty included with the Kalia products for details.**





ONCE UPON A TIME...WATER®

106835

Decorative trim for 2-way AQUATONIK™ type T/P 1/2" push-button valve

**SPÉCIFICATIONS**

**Features**

- Low-profil design
- Horizontal or vertical installation
- Integrated adjustable high-temperature limit
- Extra buttons included for custom shower configurations

**Colors (Finishes)**

- Chrome: 106835-110
- Pure Nickel PVD: 106835-125
- Matte Black: 106835-160



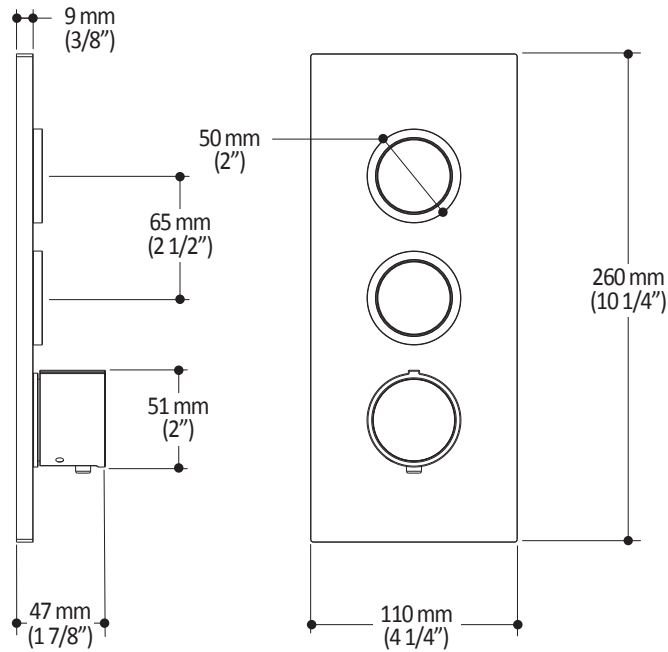
**Installation Notes**

This product must be installed following the installation instructions provided.

**WARRANTY**

Kalia Inc. guarantees all aspects of its products to be free of defects in material and workmanship for normal residential use. **Refer to the warranty included with the Kalia products for details.**

Product dimensions:



**Important:** Dimensions are approximated and are subject to changes. Please refer to the installation instructions.



ONCE UPON A TIME...WATER®

1355, 2<sup>nd</sup> Street, Industrial Park  
Sainte-Marie (Québec)  
Canada G6E 1G9

T 418-387-9090  
1-877-GO-KALIA (1-877-465-2542)  
F 418 387-9089

**KaliaStyle.com**



ONCE UPON A TIME...WATER®

MOROKA™

BF2154

PLUS: Rainhead with Vertical Ceiling Arm

SPECIFICATIONS

**Features**

- Solid brass arm and plastic rainhead construction
- Male water inlet 1/2NPT
- Female water inlet G½ for rainhead
- Soft tips for easy cleaning of limescale
- Adjustable orientation swivel

**Colors (Finishes)**

- Chrome: BF2154-110
- Pure Nickel PVD: BF2154-125
- Matte Black: BF2154-160

**Maximum flow rate**

- 7.6 L/min (2 gpm) to 80 psi

**Certifications**

The specified model meets or exceeds the following standards;



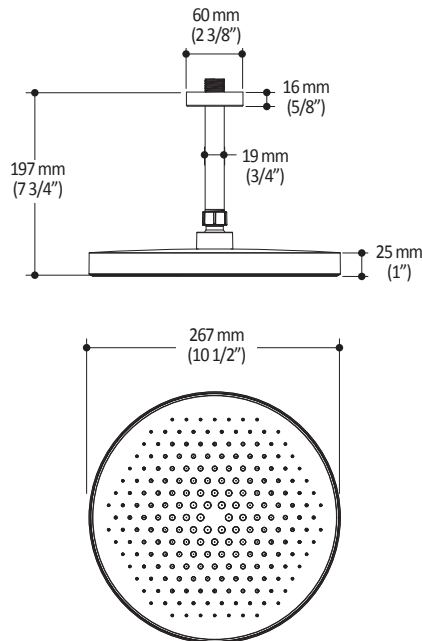
**Installation Notes**

This product must be installed following the installation instructions provided.

**WARRANTY**

Kalia Inc. guarantees all aspects of its products to be free of defects in material and workmanship for normal residential use. Refer to the warranty included with the Kalia products for details.

Product dimensions:



**Important:** Dimensions are approximated and are subject to changes. Please refer to the installation instructions.



ONCE UPON A TIME...WATER®

1355, 2<sup>nd</sup> Street, Industrial Park  
Sainte-Marie (Québec)  
Canada G6E 1G9

T 418-387-9090  
1-877-GO-KALIA (1-87- 465-2542)  
F 418 387-9089

KaliaStyle.com



# Kalia

ONCE UPON A TIME...WATER®

## MOROKA™

### 107383

### PLUS: 3-jet handshower

### SPECIFICATIONS

#### Features

- Male water inlet G½
- 3-jet handshower: mist spray, rain spray and massage spray
- Soft tips for easy cleaning of limescale

#### Colors (Finishes)

- Chrome: 107383-110
- Pure Nickel PVD: 107383-125
- Matte Black: 107383-160

#### Maximum flow rate

- 7.6 L/min (2 gpm) to 80 psi

#### Certifications

The specified model meets or exceeds the following standards;



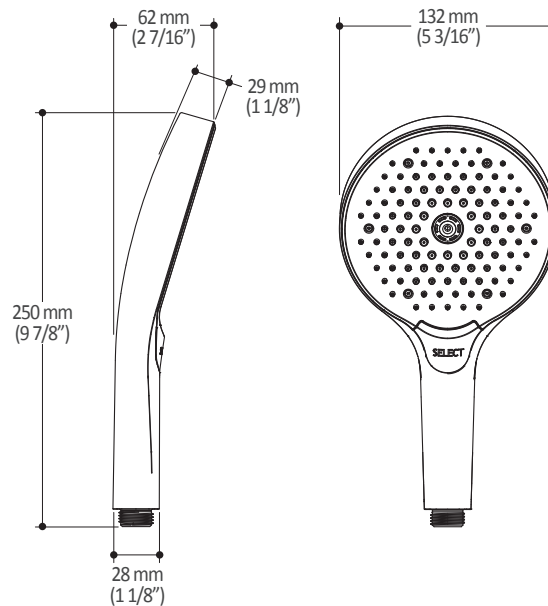
#### Installation Notes

This product must be installed following the installation instructions provided.

#### WARRANTY

Kalia Inc. guarantees all aspects of its products to be free of defects in material and workmanship for normal residential use. **Refer to the warranty included with the Kalia products for details.**

Product dimensions:



**Important:** Dimensions are approximated and are subject to changes. Please refer to the installation instructions.



# Kalia

ONCE UPON A TIME...WATER®

1355, 2<sup>nd</sup> Street, Industrial Park  
Sainte-Marie (Québec)  
Canada G6E 1G9

T 418-387-9090  
1-877-GO-KALIA (1-877-465-2542)  
F 418 387-9089

[KaliaStyle.com](http://KaliaStyle.com)



ONCE UPON A TIME...WATER®

103577

Wallbar for handshower

**SPECIFICATIONS**

### Features

- Plastic construction
- Total height of 742 mm (30")
- Easy-to-use gliding system
- Locking system

### Colors (Finishes)

- Chrome: 103577-110
- Pure Nickel PVD: 103577-125
- Matte Black: 103577-160

### Certifications

The specified model meets or exceeds the following standards:

**ADA** 



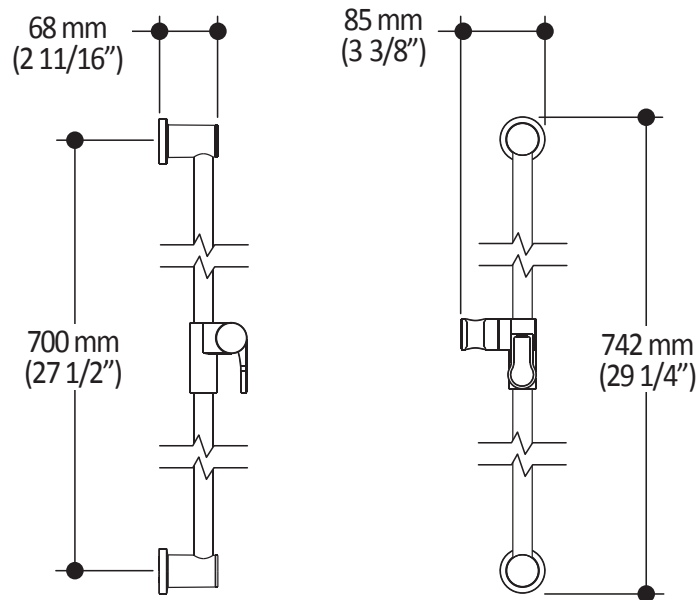
### Installation Notes

This product must be installed following the installation instructions provided.

### WARRANTY

Kalia Inc. guarantees all aspects of its products to be free of defects in material and workmanship for normal residential use. **Refer to the warranty included with the Kalia products for details.**

Product dimensions:



**Important :** Dimensions are approximated and are subject to changes. Please refer to the installation instructions.



ONCE UPON A TIME...WATER®

1355, 2<sup>nd</sup> Street, Industrial Park  
Sainte-Marie (Québec)  
Canada G6E 1G9

T 418-387-9090  
1-877-GO-KALIA (1-87- 465-2542)  
F 418 387-9089

**KaliaStyle.com**



ONCE UPON A TIME...WATER®

# 106192 Wall Outlet

## SPECIFICATIONS

### Features

- Solid brass construction
- Connector adjustable in depth for increased durability
- Female water inlet 1/2NPT
- Male water outlet G1/2

### Colors (Finishes)

- Chrome: 106192-110
- Pure Nickel PVD: 106192-125
- Matte Black: 106192-160
- Black: 106192-165

### Certifications

The specified model meets or exceeds the following standards;



### Installation Notes

This product must be installed following the installation instructions provided.

### WARRANTY

Kalia Inc. guarantees all aspects of its products to be free of defects in material and workmanship for normal residential use. **Refer to the warranty included with the Kalia products for details.**

Product dimensions:



**Important:** Dimensions are approximated and are subject to changes. Please refer to the installation instructions.



ONCE UPON A TIME...WATER®

1355, 2<sup>nd</sup> Street, Industrial Park  
Sainte-Marie (Québec)  
Canada G6E 1G9

T 418-387-9090  
1-877-GO-KALIA (1-877- 465-2542)  
F 418 387-9089

[KaliaStyle.com](http://KaliaStyle.com)



# Kalia

ONCE UPON A TIME...WATER®

## 101620

### 60" (1524 mm) Flexible and Soft PVC Hose

#### *SPECIFICATIONS*

#### Features

- G1/2 female connection
- Integrated check valve

#### Colors (Finishes)

- Chrome: 101620-110
- Pure Nickel PVD: 101620-125
- Black and chrome: 101620-150
- Matte Black: 101620-160



#### Installation Notes

This product must be installed following the installation instructions provided.

#### WARRANTY

Kalia Inc. guarantees all aspects of its products to be free of defects in material and workmanship for normal residential use. **Refer to the warranty included with the Kalia products for details.**

*Product dimensions:*



**Important :** Dimensions are approximated and are subject to changes. Please refer to the installation instructions.



# Kalia

ONCE UPON A TIME...WATER®

1355, 2<sup>nd</sup> Street, Industrial Park  
Sainte-Marie (Québec)  
Canada G6E 1G9

T 418-387-9090  
1-877-GO-KALIA (1-87-465-2542)  
F 418 387-9089

[KaliaStyle.com](http://KaliaStyle.com)