

**BF1981-XXX-100****PLUS: TD2 Thermostatic Shower System*****SPECIFICATIONS*****Components included**

- BF1988-XXX\*: 2-way AQUATONIK™ type T/P 1/2" valve with diverter and round decorative trim (operates 1 or 2 components at a time)
- BF2155-XXX\*: Rainhead with 90° wall arm
- 107377-XXX\*: 3-jet handshower (mist spray, rain spray and mixed spray)
- 103576-XXX\*: Wallbar
- 106193-XXX\*: Wall outlet
- 101620-XXX\*: 60" flexible and soft PVC hose

\*XXX means that the finish color must be specified.

**Colors (Finishes)**

- Chrome: BF1981-**110**-100
- Matte Black: BF1981-**160**-100

*See the following sheets for the technical features of each component.*

**Installation Notes**

This product must be installed following the installation instructions provided.

**WARRANTY**

Kalia Inc. guarantees all aspects of its products to be free of defects in material and workmanship for normal residential use. **Refer to the warranty included with the Kalia products for details.**





ONCE UPON A TIME...WATER®

**KAREO™**

**BF1988**

2-way AQUATONIK™ type T/P 1/2" valve with diverter and decorative trim

**SPÉCIFICATIONS**

**Features**

- 2 male water inlets 1/2NPT threaded or welded
- 2 male water outlets 1/2NPT threaded or welded
- Solid brass construction
- Total adjustment of 32 mm (1 1/4")
- Can be installed back to back
- Support included for better stability during installation
- Operates 1 or 2 components at a time

**Colors (Finishes)**

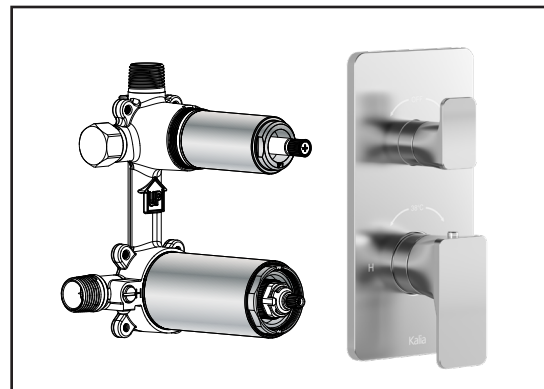
- Chrome: BF1988-110
- Matte black: BF1988-160

**Maximum flow rate**

- 1 outlet: 22 L/min (5.9 gpm) at 60 psi
- 2 outlets: 23.5 L/min (6.21 gpm) at 60 psi

**Certifications**

The specified model meets or exceeds the following standards;



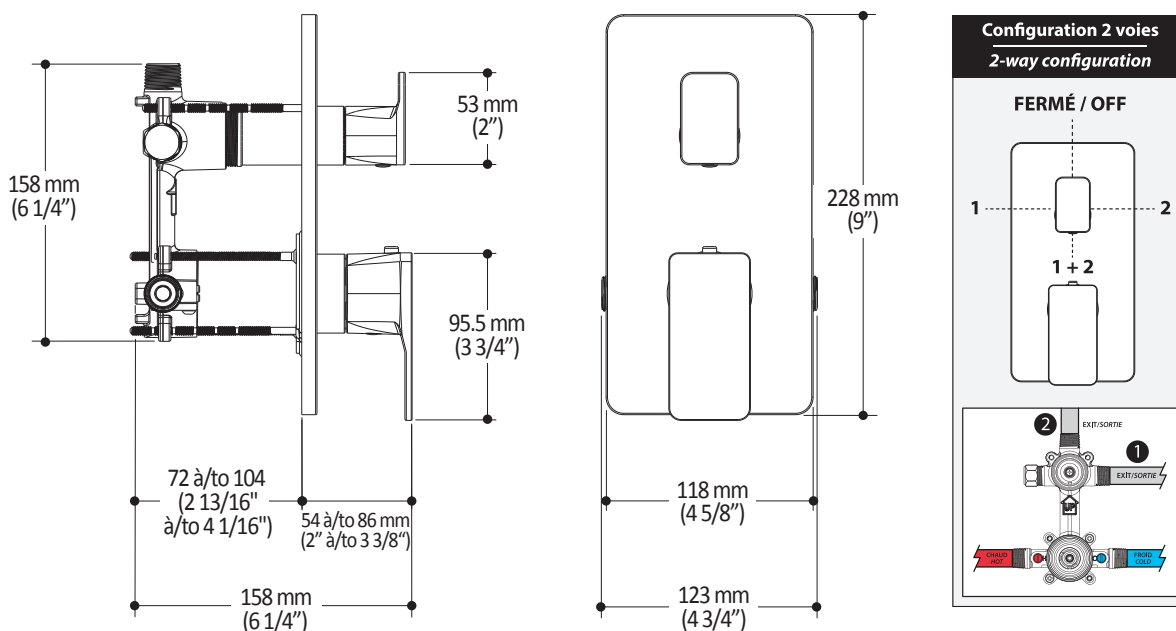
**Installation Notes**

This product must be installed following the installation instructions provided.

**WARRANTY**

Kalia Inc. guarantees all aspects of its products to be free of defects in material and workmanship for normal residential use. Refer to the warranty included with the Kalia products for details.

Product dimensions:



**Important:** Dimensions are approximated and are subject to changes. Please refer to the installation instructions.



ONCE UPON A TIME...WATER®

1355, 2<sup>nd</sup> Street, Industrial Park  
Sainte-Marie (Québec)  
Canada G6E 1G9

T 418-387-9090  
1-877-GO-KALIA (1-877-465-2542)  
F 418 387-9089

KaliaStyle.com





ONCE UPON A TIME...WATER®

**KAREO™**

**BF2155**

**PLUS: Rainhead with 90° Wallarm**

**SPECIFICATIONS**

**Features**

- Solid brass arm and plastic rainhead construction
- Male water inlet 1/2NPT
- LSR (liquid silicone rubber) soft tips for easy cleaning of limescale
- Adjustable orientation swivel

**Colors (Finishes)**

- Chrome: BF2155-110
- Matte Black: BF2155-160

**Maximum flow rate**

- 7.6 L/min (2 gpm) to 80 psi

**Certifications**

*The specified model meets or exceeds the following standards;*



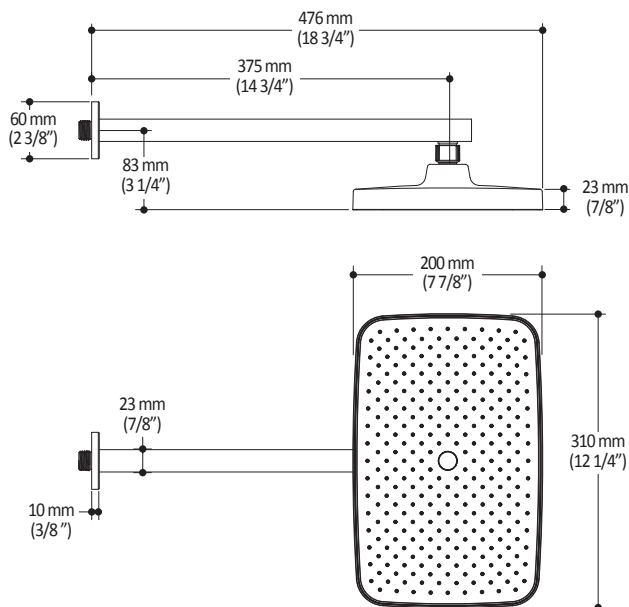
**Installation Notes**

This product must be installed following the installation instructions provided.

**WARRANTY**

Kalia Inc. guarantees all aspects of its products to be free of defects in material and workmanship for normal residential use. **Refer to the warranty included with the Kalia products for details.**

*Product dimensions:*



**Important:** Dimensions are approximated and are subject to changes. Please refer to the installation instructions.



ONCE UPON A TIME...WATER®

1355, 2<sup>nd</sup> Street, Industrial Park  
Sainte-Marie (Québec)  
Canada G6E 1G9

T 418-387-9090  
1-877-GO-KALIA (1-87- 465-2542)  
F 418 387-9089

**KaliaStyle.com**



ONCE UPON A TIME...WATER®

**KAREO™**

**107377**

**PLUS: 3-jet handshower**

**SPECIFICATIONS**

**Features**

- Male water inlet G½
- 3-jet handshower: mist spray, rain spray and mixed spray
- LSR (liquid silicone rubber) soft tips for easy cleaning of limescale

**Colors (Finishes)**

- Chrome: 107377-110
- Matte Black: 107377-160

**Maximum flow rate**

- 7.6 L/min (2 gpm) to 80 psi

**Certifications**

*The specified model meets or exceeds the following standards;*



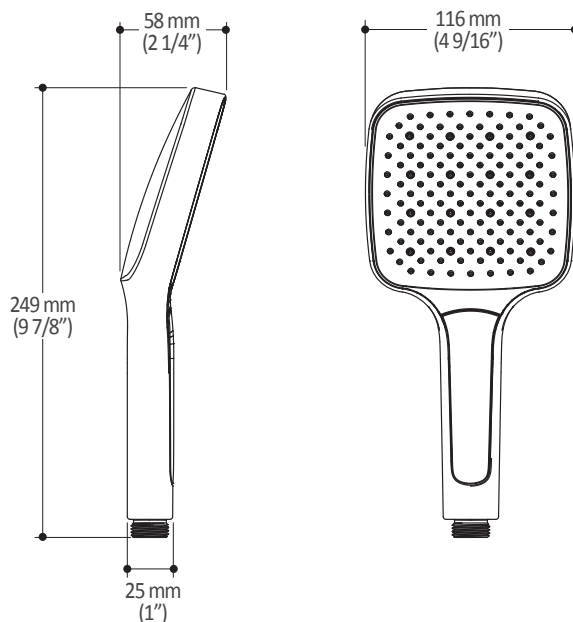
**Installation Notes**

This product must be installed following the installation instructions provided.

**WARRANTY**

Kalia Inc. guarantees all aspects of its products to be free of defects in material and workmanship for normal residential use. **Refer to the warranty included with the Kalia products for details.**

*Product dimensions:*



**Important:** Dimensions are approximated and are subject to changes. Please refer to the installation instructions.



ONCE UPON A TIME...WATER®

1355, 2<sup>nd</sup> Street, Industrial Park  
Sainte-Marie (Québec)  
Canada G6E 1G9

T 418-387-9090  
1-877-GO-KALIA (1-877- 465-2542)  
F 418 387-9089

**KaliaStyle.com**



ONCE UPON A TIME...WATER®

103576

Wallbar for handshower

*SPÉCIFICATIONS*

**Features**

- Total height of 775 mm (30 1/2")
- Easy-to-use gliding system
- Locking system

**Colors (Finishes)**

- Chrome: 103576-110
- Pure Nickel PVD: 103576-125
- Matte Black: 103576-160



**Installation Notes**

This product must be installed following the installation instructions provided.

**WARRANTY**

Kalia Inc. guarantees all aspects of its products to be free of defects in material and workmanship for normal residential use. Refer to the warranty included with the Kalia products for details.

*Product dimensions:*



**Important :** Dimensions are approximated and are subject to changes. Please refer to the installation instructions.



ONCE UPON A TIME...WATER®

1355, 2<sup>nd</sup> Street, Industrial Park  
Sainte-Marie (Québec)  
Canada G6E 1G9

T 418-387-9090  
1-877-GO-KALIA (1-87- 465-2542)  
F 418 387-9089

KaliaStyle.com





ONCE UPON A TIME...WATER®

# 106193 Wall Outlet

## SPECIFICATIONS

### Features

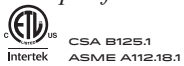
- Solid brass construction
- Connector adjustable in depth for increased durability
- Female water inlet 1/2NPT
- Male water outlet G1/2

### Colors (Finishes)

- Chrome: 106193-110
- Pure Nickel PVD: 106193-125
- Matte Black: 106193-160

### Certifications

The specified model meets or exceeds the following standards:



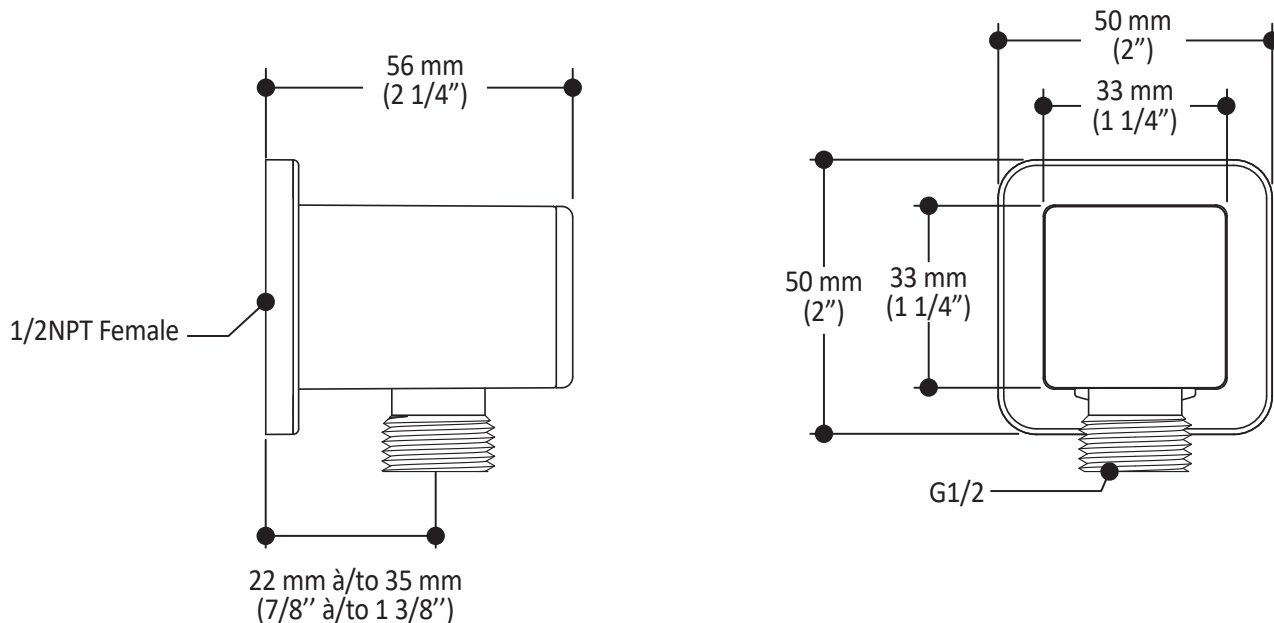
### Installation Notes

This product must be installed following the installation instructions provided.

### WARRANTY

Kalia Inc. guarantees all aspects of its products to be free of defects in material and workmanship for normal residential use. **Refer to the warranty included with the Kalia products for details.**

Product dimensions:



**Important:** Dimensions are approximated and are subject to changes. Please refer to the installation instructions.



ONCE UPON A TIME...WATER®

1355, 2<sup>nd</sup> Street, Industrial Park  
Sainte-Marie (Québec)  
Canada G6E 1G9

T 418-387-9090  
1-877-GO-KALIA (1-87- 465-2542)  
F 418 387-9089

[KaliaStyle.com](http://KaliaStyle.com)



# Kalia

ONCE UPON A TIME...WATER®

## 101620

### 60" (1524 mm) Flexible and Soft PVC Hose

#### *SPECIFICATIONS*

#### Features

- G1/2 female connection
- Integrated check valve

#### Colors (Finishes)

- Chrome: 101620-110
- Pure Nickel PVD: 101620-125
- Black and chrome: 101620-150
- Matte Black: 101620-160



#### Installation Notes

This product must be installed following the installation instructions provided.

#### WARRANTY

Kalia Inc. guarantees all aspects of its products to be free of defects in material and workmanship for normal residential use. **Refer to the warranty included with the Kalia products for details.**

*Product dimensions:*



**Important :** Dimensions are approximated and are subject to changes. Please refer to the installation instructions.



# Kalia

ONCE UPON A TIME...WATER®

1355, 2<sup>nd</sup> Street, Industrial Park  
Sainte-Marie (Québec)  
Canada G6E 1G9

T 418-387-9090  
1-877-GO-KALIA (1-87-465-2542)  
F 418 387-9089

**KaliaStyle.com**