



Kalia

ONCE UPON A TIME...WATER®

RUSTIK™

BF1521

T375 Thermostatic Shower System (without valve)

SPECIFICATIONS



Components included

- 103616-110: Decorative trim for 3/4" Thermostatic valve
- 103618-110: Decorative trim for 3/4" Volume control valve (3x)
- BF1507-110: Rainhead with 90° wall arm
- 103604-110: Handshower
- 103608-110: Wallbar
- 104777-110: Adjustable body jets (4x)
- 103790-110: 60" flexible metal hose
- 106192-110: Wall outlet

Colors (Finishes)

- Chrome: BF1521-110

See the following sheets for the technical features of each component.

Installation Notes

This product must be installed following the installation instructions provided.

WARRANTY

Kalia Inc. guarantees all aspects of its products to be free of defects in material and workmanship for normal residential use. **Refer to the warranty included with the Kalia products for details.**



Kalia

ONCE UPON A TIME...WATER®

1355, 2nd Street, Industrial Park
Sainte-Marie (Québec)
Canada G6E 1G9

T 418-387-9090
1-877-GO-KALIA (1-877-465-2542)
F 418 387-9089

KaliaStyle.com



Kalia

ONCE UPON A TIME...WATER®

RUSTIK™

103616

AQUATONIK™ type T/P 1/2" valve and 3/4" thermostatic valve decorative trim

SPECIFICATIONS

Features

- Solid brass construction
- No visible screw
- Total adjustment of 19 mm (3/4")

Colors (Finishes)

- Chrome: 103616-110
- Pure Nickel PVD: 103616-125
- Black: 103616-165



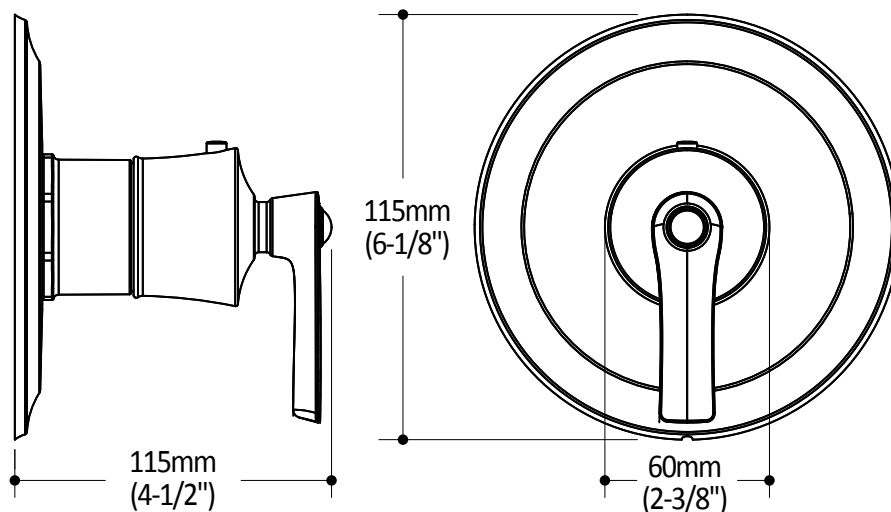
Installation Notes

This product must be installed following the installation instructions provided.

WARRANTY

Kalia Inc. guarantees all aspects of its products to be free of defects in material and workmanship for normal residential use. **Refer to the warranty included with the Kalia products for details.**

Product dimensions:



Important: Dimensions are approximated and are subject to changes. Please refer to the installation instructions.



ONCE UPON A TIME...WATER®

1355, 2^e Rue du Parc industriel
Sainte-Marie (Québec)
Canada G6E 1G9

T 418-387-9090
1-877-GO-KALIA (1-877-465-2542)
F 418 387-9089

kaliastyle.com



ONCE UPON A TIME...WATER®

RUSTIK™

103618

1/2" and 3/4" Volume control valve and 2 or 3-way 1/2" diverter decorative trim

SPECIFICATIONS

Features

- Solid brass construction
- No visible screw
- Total adjustment of 19 mm (3/4")

Colors (Finishes)

- Chrome: 103618-110
- Pure Nickel PVD: 103618-125
- Black: 103618-165



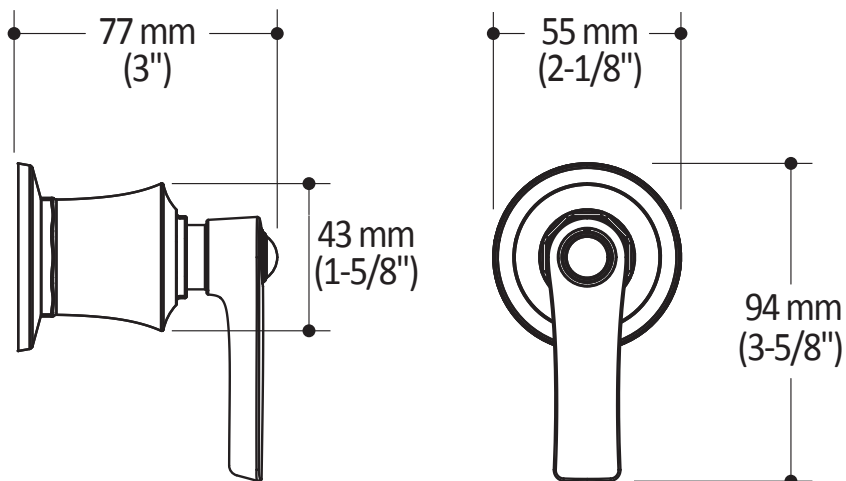
Installation Notes

This product must be installed following the installation instructions provided.

WARRANTY

Kalia Inc. guarantees all aspects of its products to be free of defects in material and workmanship for normal residential use. **Refer to the warranty included with the Kalia products for details.**

Product dimensions:



Important: Dimensions are approximated and are subject to changes. Please refer to the installation instructions.



ONCE UPON A TIME...WATER®

1355, 2^e Rue du Parc industriel
Sainte-Marie (Québec)
Canada G6E 1G9

T 418-387-9090
1-877-GO-KALIA (1-877-465-2542)
F 418 387-9089

kaliastyle.com



ONCE UPON A TIME...WATER®

RUSTIK^{MC}

BF1507 Rainhead with 90° Wall arm

SPECIFICATIONS

Features

- Solid brass construction rainhead and shower arm
- Male water inlet 1/2NPT
- Diameter: 225 mm (8 7/8")
- Anti-scale system with soft sprays
- Adjustable orientation swivel

Colors (Finishes)

- Chrome: BF1507-110
- Pure Nickel PVD: BF1507-125
- Black: BF1507-165

Maximum flow rate

- 7.6 L/min (2 gpm) to 80 psi

Certifications

The specified model meets or exceeds the following standards;



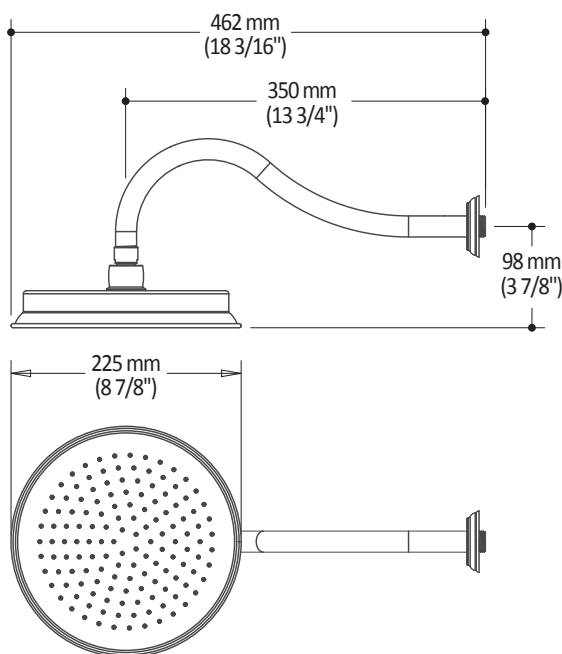
Installation Notes

This product must be installed following the installation instructions provided.

WARRANTY

Kalia Inc. guarantees all aspects of its products to be free of defects in material and workmanship for normal residential use. **Refer to the warranty included with the Kalia products for details.**

Product dimensions:



Important : Dimensions are approximated and are subject to changes. Please refer to the installation instructions.



ONCE UPON A TIME...WATER®

1355, 2^e Rue du Parc industriel
Sainte-Marie (Québec)
Canada G6E 1G9

T 418-387-9090
1-877-GO-KALIA (1-877-465-2542)
F 418 387-9089

kaliastyle.com



Kalia

ONCE UPON A TIME...WATER®

RUSTIK™

103604

Handshower

SPECIFICATIONS

Features

- Solid brass construction
- 83 mm (3 1/4") diameter
- Male water inlet G1/2

Maximum flow rate

- 7.61 L/min (2 gpm) to 80 psi

Colors (Finishes)

- Chrome: 103604-110
- Pure Nickel PVD: 103604-125
- Black: 103604-165

Certifications

The specified model meets or exceeds the following standards;



CSA B125.1
ASME A112.18.1

ADA



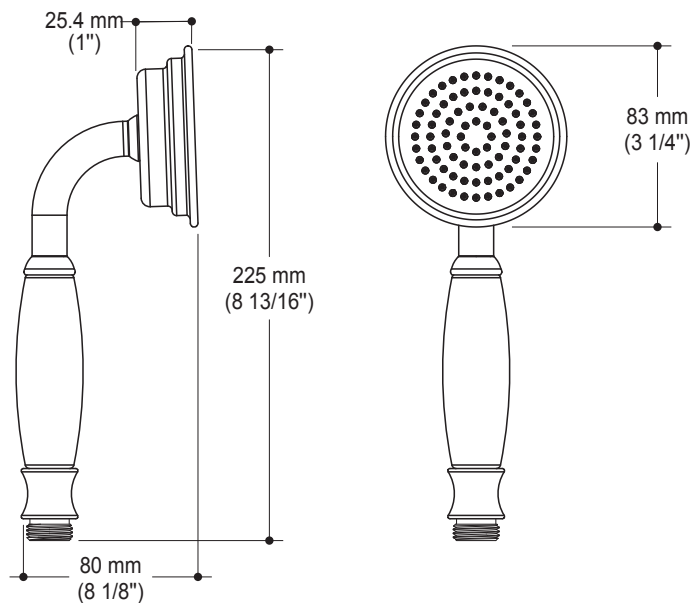
Installation Notes

This product must be installed following the installation instructions provided.

WARRANTY

Kalia Inc. guarantees all aspects of its products to be free of defects in material and workmanship for normal residential use. **Refer to the warranty included with the Kalia products for details.**

Product dimensions:



Important: Dimensions are approximated and are subject to changes. Please refer to the installation instructions.



ONCE UPON A TIME...WATER®

1355, 2^e Rue du Parc industriel
Sainte-Marie (Québec)
Canada G6E 1G9

T 418-387-9090
1-877-GO-KALIA (1-877-465-2542)
F 418 387-9089

kaliastyle.com



ONCE UPON A TIME...WATER®

RUSTIK™

103608

Wallbar for handshower

SPECIFICATIONS

Features

- Solid brass construction
- Total height of 650 mm (25 5/8")
- Locking system of 1/4 turn

Colors (Finishes)

- Chrome: 103608-110
- Pure Nickel PVD: 103608-125
- Black: 103608-165

Certifications

The specified model meets or exceeds the following standards;

CSA B125.1 ADA 



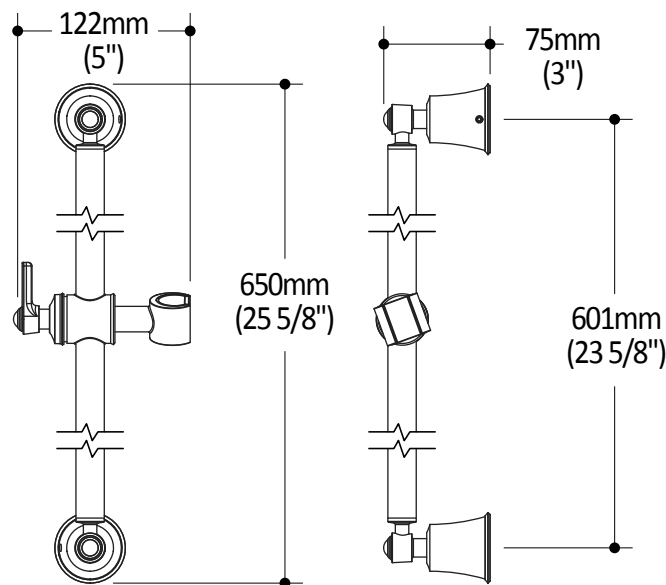
Installation Notes

This product must be installed following the installation instructions provided.

WARRANTY

Kalia Inc. guarantees all aspects of its products to be free of defects in material and workmanship for normal residential use. **Refer to the warranty included with the Kalia products for details.**

Product dimensions:



Important: Dimensions are approximated and are subject to changes. Please refer to the installation instructions.



ONCE UPON A TIME...WATER®

1355, 2^e Rue du Parc industriel
Sainte-Marie (Québec)
Canada G6E 1G9

T 418-387-9090
1-877-GO-KALIA (1-877-465-2542)
F 418 387-9089

kaliastyle.com



ONCE UPON A TIME...WATER®

104777
Body jet

SPECIFICATIONS

Features

- Solid brass water raceway
- Round or square trim finish included
- Male water inlet 1/2 NPT
- 20° adjustable spray head
- 23 mm (7/8") installation adjustment
- Recessed box included
- Slim profile

Maximum flow rate

- 3.8 L/min. (1 gpm) to 60 psi

Colors (Finishes)

- Chrome : 104777-110

Certifications

The specified model meets or exceeds the following standards;



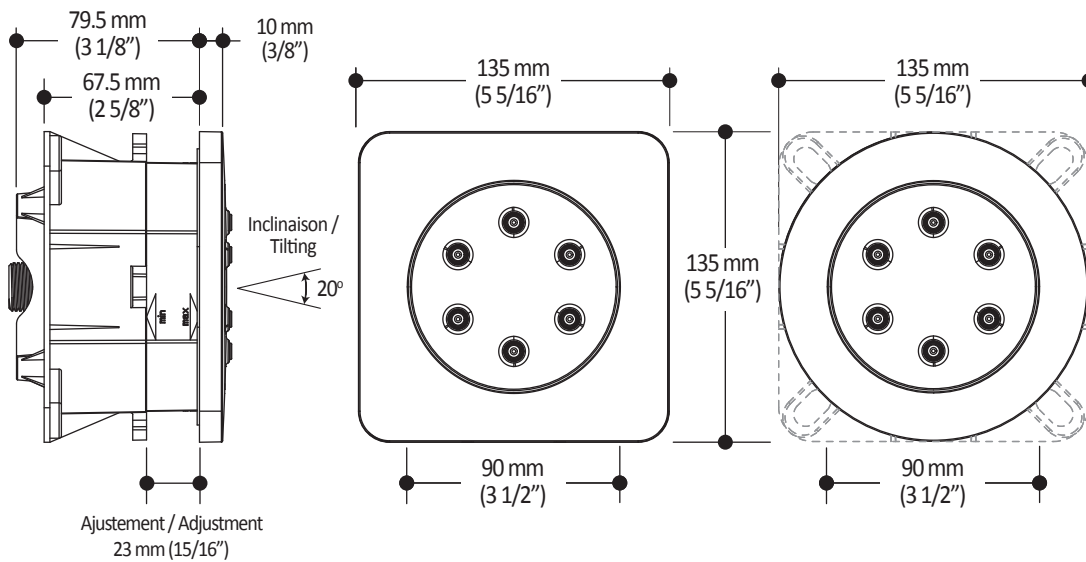
Installation Notes

This product must be installed following the installation instructions provided.

WARRANTY

Kalia Inc. guarantees all aspects of its products to be free of defects in material and workmanship for normal residential use. **Refer to the warranty included with the Kalia products for details.**

Product dimensions:



Important: Dimensions are approximated and are subject to changes. Please refer to the installation instructions.



ONCE UPON A TIME...WATER®

1355, 2nd Street, Industrial Park
Sainte-Marie (Québec)
Canada G6E 1G9

T 418-387-9090
1-877-GO-KALIA (1-87- 465-2542)
F 418 387-9089

KaliaStyle.com



ONCE UPON A TIME...WATER®

103790

60" (1524 mm) Flexible Metal Hose

SPECIFICATIONS

Features

- 1/2 female connection
- Check valve included

Colors (Finishes)

- Chrome: 103790-110
- Pure Nickel PVD: 103790-125
- Black: 103790-165



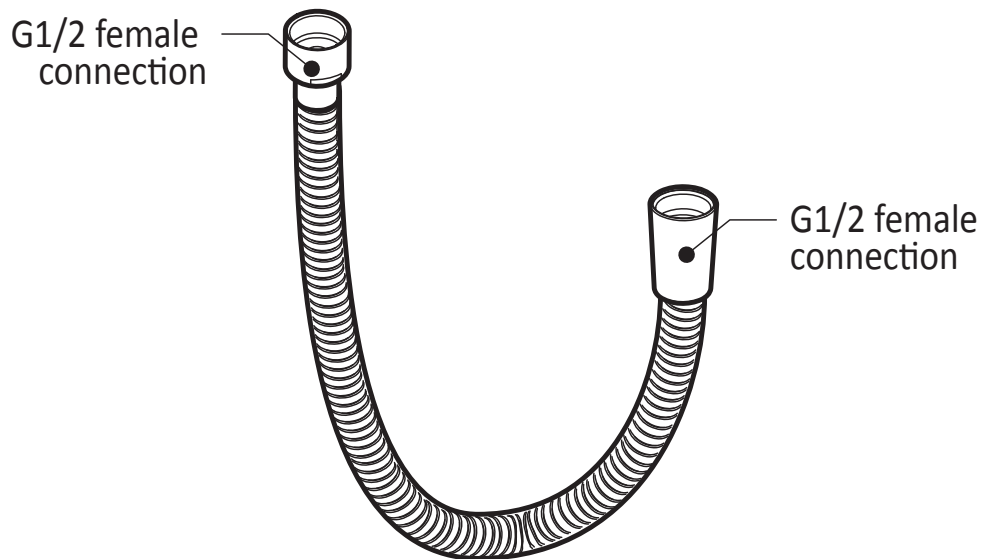
Installation Notes

This product must be installed following the installation instructions provided.

WARRANTY

Kalia Inc. guarantees all aspects of its products to be free of defects in material and workmanship for normal residential use. **Refer to the warranty included with the Kalia products for details.**

Product dimensions:



Important : Dimensions are approximated and are subject to changes. Please refer to the installation instructions.



ONCE UPON A TIME...WATER®

1355, 2nd Street, Industrial Park
Sainte-Marie (Québec)
Canada G6E 1G9

T 418-387-9090
1-877-GO-KALIA (1-87- 465-2542)
F 418 387-9089

KaliaStyle.com



ONCE UPON A TIME...WATER®

106192 Wall Outlet

SPECIFICATIONS

Features

- Solid brass construction
- Connector adjustable in depth for increased durability
- Female water inlet 1/2NPT
- Male water outlet G1/2

Colors (Finishes)

- Chrome: 106192-110
- Pure Nickel PVD: 106192-125
- Matte Black: 106192-160
- Black: 106192-165

Certifications

The specified model meets or exceeds the following standards;



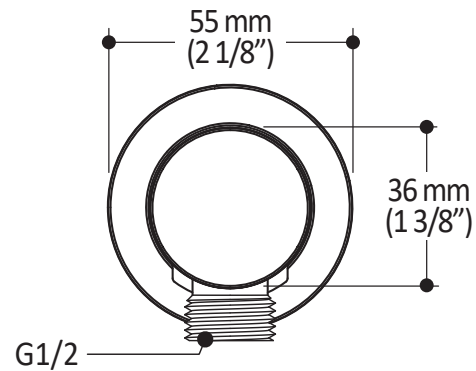
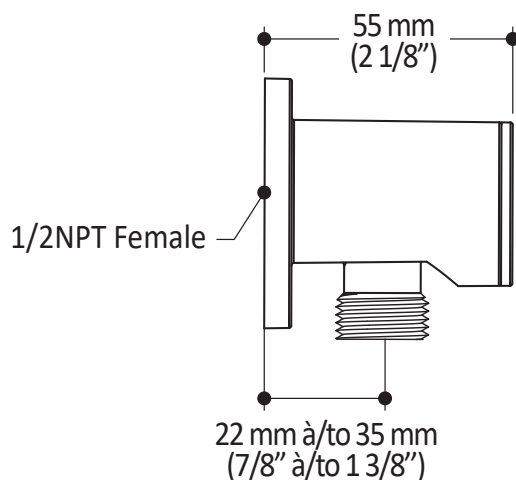
Installation Notes

This product must be installed following the installation instructions provided.

WARRANTY

Kalia Inc. guarantees all aspects of its products to be free of defects in material and workmanship for normal residential use. **Refer to the warranty included with the Kalia products for details.**

Product dimensions:



Important: Dimensions are approximated and are subject to changes. Please refer to the installation instructions.



ONCE UPON A TIME...WATER®

1355, 2nd Street, Industrial Park
Sainte-Marie (Québec)
Canada G6E 1G9

T 418-387-9090
1-877-GO-KALIA (1-877- 465-2542)
F 418 387-9089

KaliaStyle.com