

BF2100-XXX**TB2 Thermostatic Shower System (without valve)****SPECIFICATIONS****Components included**

- 106835-XXX*: Decorative trim for 2-way AQUATONIK™ type T/P 1/2" push-button valve (operates 1 or 2 components at a time)
- BF1626-XXX*: Rainhead with 90° wall arm
- 104289-XXX*: 2-jet handshower (2 direct functions and 1 shared function)
- 103576-XXX*: Wallbar
- 101620-XXX*: 60" flexible and soft PVC hose
- 106193-XXX*: Wall outlet

*XXX means that the finish color must be specified.

Colors (Finishes)

- Chrome: BF2100-110
- Matte Black: BF2100-160
- Pure nickel PVD: BF2100-125

See the following sheets for the technical features of each component.

Installation Notes

This product must be installed following the installation instructions provided.

WARRANTY

Kalia Inc. guarantees all aspects of its products to be free of defects in material and workmanship for normal residential use. **Refer to the warranty included with the Kalia products for details.**





ONCE UPON A TIME...WATER®

106835

Decorative trim for 2-way AQUATONIK™ type T/P 1/2" push-button valve

SPÉCIFICATIONS

Features

- Low-profil design
- Horizontal or vertical installation
- Integrated adjustable high-temperature limit
- Extra buttons included for custom shower configurations

Colors (Finishes)

- Chrome: 106835-110
- Pure Nickel PVD: 106835-125
- Matte Black: 106835-160



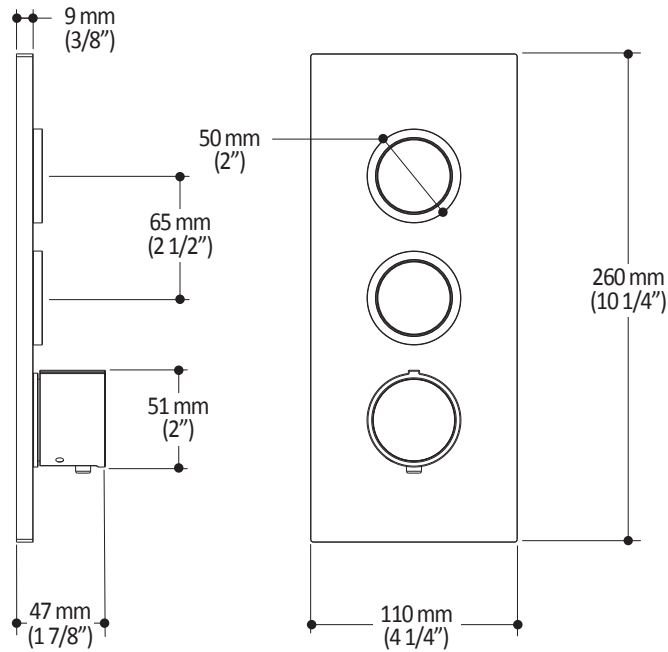
Installation Notes

This product must be installed following the installation instructions provided.

WARRANTY

Kalia Inc. guarantees all aspects of its products to be free of defects in material and workmanship for normal residential use. **Refer to the warranty included with the Kalia products for details.**

Product dimensions:



Important: Dimensions are approximated and are subject to changes. Please refer to the installation instructions.



ONCE UPON A TIME...WATER®

1355, 2nd Street, Industrial Park
Sainte-Marie (Québec)
Canada G6E 1G9

T 418-387-9090
1-877-GO-KALIA (1-877-465-2542)
F 418 387-9089

KaliaStyle.com



Kalia

ONCE UPON A TIME...WATER®

BF1626

Rainhead with 90° Wallarm

SPÉCIFICATIONS

Features

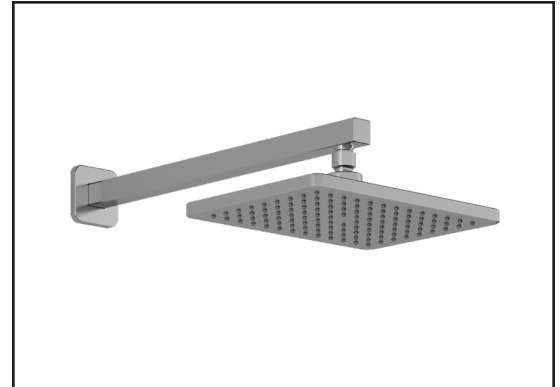
- Male water inlet 1/2NPT on vertical arm
- Rainhead dimension:
260 mm x 188 mm x 16 mm (10 1/4" x 7 3/8" x 5/8")
- Soft tips for easy cleaning of limescale
- Adjustable orientation swivel
- Solid brass arm and plastic rainhead construction

Colors (Finishes)

- Chrome: BF1626-110
- Pure Nickel PVD: BF1626-125
- Matte Black: BF1626-160

Maximum flow rate

- 7.6 L/min (2 gpm) at 80 psi



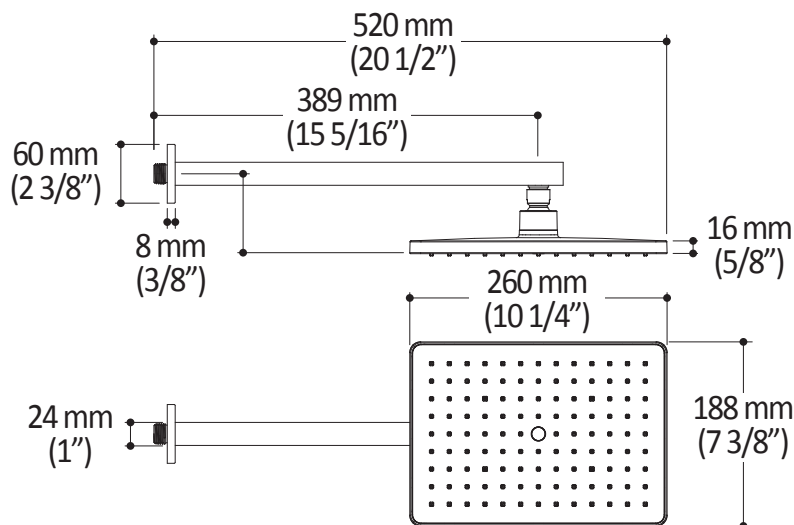
Installation Notes

This product must be installed following the installation instructions provided.

WARRANTY

Kalia Inc. guarantees all aspects of its products to be free of defects in material and workmanship for normal residential use. **Refer to the warranty included with the Kalia products for details.**

Product dimensions:



Important: Dimensions are approximated and are subject to changes. Please refer to the installation instructions.



Kalia

ONCE UPON A TIME...WATER®

1355, 2^e Rue du Parc industriel
Sainte-Marie (Québec)
Canada G6E 1G9

T 418-387-9090
1-877-GO-KALIA (1-877-465-2542)
F 418 387-9089

kaliastyle.com



ONCE UPON A TIME...WATER®

104289

2-jet handshower

SPECIFICATIONS

Features

- Male water inlet G1/2
- Dimension: 80 mm (3 1/8") x 110 (4 3/8")
- 2 direct functions and 1 shared function
- Soft tips for easy cleaning of limescale

Colors (Finishes)

- Chrome: 104289-110
- Pure Nickel PVD: 104289-125
- Matte Black: 104289-160

Maximum flow rate

- 7.6 L/min. (2 gpm) at 80 psi

Certifications

The specified model meets or exceeds the following standards;



Installation Notes

This product must be installed following the installation instructions provided.

WARRANTY

Kalia Inc. guarantees all aspects of its products to be free of defects in material and workmanship for normal residential use. **Refer to the warranty included with the Kalia products for details.**

Product dimensions:



Important : Dimensions are approximated and are subject to changes. Please refer to the installation instructions.



ONCE UPON A TIME...WATER®

1355, 2nd Street, Industrial Park
Sainte-Marie (Québec)
Canada G6E 1G9

T 418-387-9090
1-877-GO-KALIA (1-87- 465-2542)
F 418 387-9089

KaliaStyle.com



ONCE UPON A TIME...WATER®

103576

Wallbar for handshower

SPÉCIFICATIONS

Features

- Total height of 775 mm (30 1/2")
- Easy-to-use gliding system
- Locking system

Colors (Finishes)

- Chrome: 103576-110
- Pure Nickel PVD: 103576-125
- Matte Black: 103576-160



Installation Notes

This product must be installed following the installation instructions provided.

WARRANTY

Kalia Inc. guarantees all aspects of its products to be free of defects in material and workmanship for normal residential use. **Refer to the warranty included with the Kalia products for details.**

Product dimensions:



Important : Dimensions are approximated and are subject to changes. Please refer to the installation instructions.



ONCE UPON A TIME...WATER®

1355, 2nd Street, Industrial Park
Sainte-Marie (Québec)
Canada G6E 1G9

T 418-387-9090
1-877-GO-KALIA (1-87- 465-2542)
F 418 387-9089

KaliaStyle.com





ONCE UPON A TIME...WATER®

106193 Wall Outlet

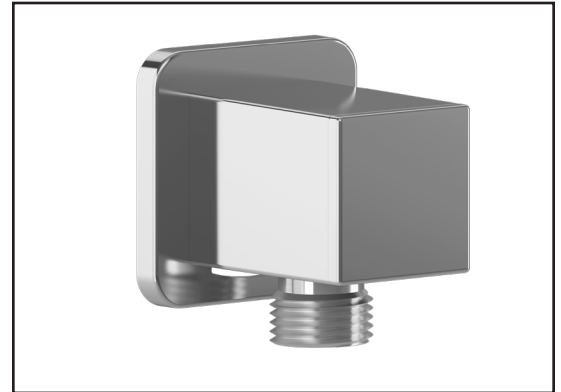
SPÉCIFICATIONS

Features

- Female water inlet 1/2NPT
- Male water outlet G1/2
- Connector adjustable in depth
- PVD finish (Physical Vapour Deposit): A high technology process that protects the surface finish for increased durability

Colors (Finishes)

- Chrome: 106193-110
- Pure nickel PVD: 106193-125
- Matte black: 106193-160



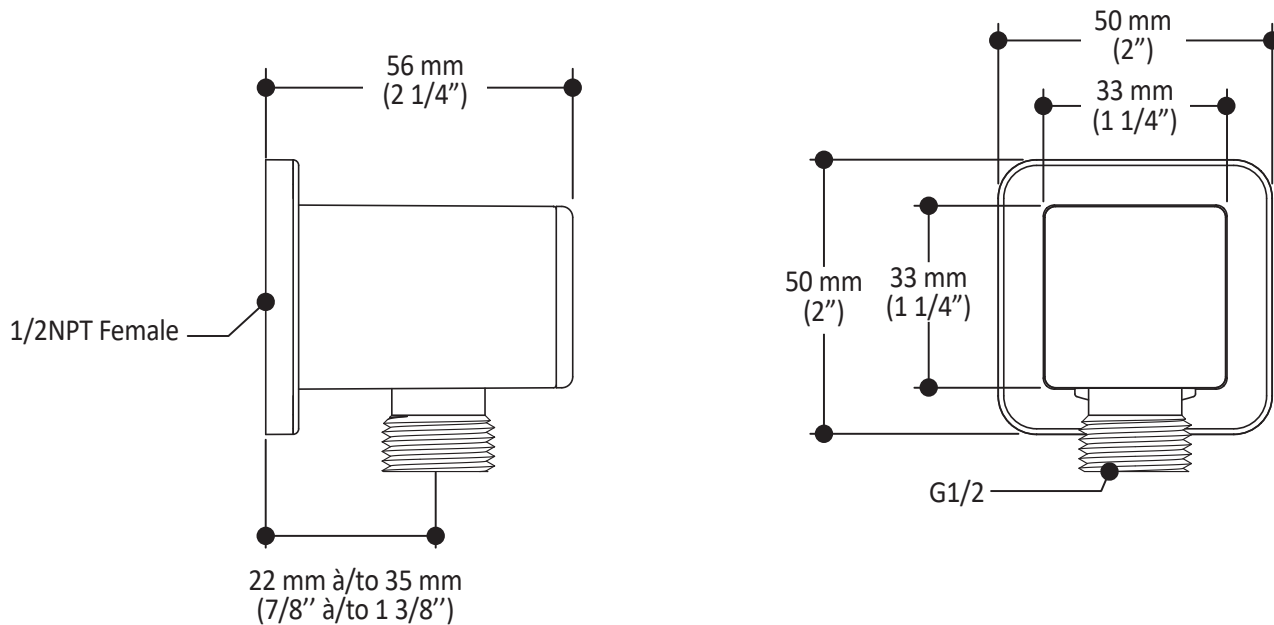
Installation Notes

This product must be installed following the installation instructions provided.

WARRANTY

Kalia Inc. guarantees all aspects of its products to be free of defects in material and workmanship for normal residential use. **Refer to the warranty included with the Kalia products for details.**

Product dimensions:



Important: Dimensions are approximated and are subject to changes. Please refer to the installation instructions.



ONCE UPON A TIME...WATER®

1355, 2nd Street, Industrial Park
Sainte-Marie (Québec)
Canada G6E 1G9

T 418-387-9090
1-877-GO-KALIA (1-87- 465-2542)
F 418 387-9089

KaliaStyle.com

