

**BF2095-XXX-001**
TB2 Thermostatic Shower System**SPECIFICATIONS****Components included**

- BF2063-XXX*: 2-way AQUATONIK™ type T/P 1/2" push-button valve and decorative trim (operates 1 or 2 components at a time)
- BF1646-XXX*: Rainhead with vertical ceiling arm
- 104289-XXX*: 2-jet handshower (2 direct functions and 1 shared function)
- 103576-XXX*: Wallbar
- 101620-XXX*: 60" flexible and soft PVC hose
- 106193-XXX*: Wall outlet

*XXX means that the finish color must be specified.

Colors (Finishes)

- Chrome: BF2095-110-001
- Pure Nickel PVD: BF2095-125-001
- Matte Black: BF2095-160-001

See the following sheets for the technical features of each component.

Installation Notes

This product must be installed following the installation instructions provided.

WARRANTY

Kalia Inc. guarantees all aspects of its products to be free of defects in material and workmanship for normal residential use. **Refer to the warranty included with the Kalia products for details.**





ONCE UPON A TIME...WATER®

BF2063

2-way AQUATONIK™ type T/P 1/2" push-button valve and decorative trim

SPECIFICATIONS

Features

- Solid brass construction
- Low-profile design
- Two male water inlets 1/2 NPT threaded or welded
- Male water outlets 1/2 NPT threaded or welded
- Horizontal or vertical installation
- One (1) high-flow outlet for tub spout
- Total adjustment of 25.4 mm (1")
- Back supports for better stability during installation included
- Operates 1 or 2 components at a time
- Integrated adjustable high-temperature limit
- Extra buttons included for custom shower configurations

Colors (Finishes)

- Chrome: BF2063-110
- Pure Nickel PVD: BF2063-125
- Matte Black: BF2063-160

Maximum flow rate

- 1 outlet: 27.7 L/min (7.32 gpm) at 60 psi
- 2 outlets: 31.5 L/min (8.32 gpm) at 60 psi

Certifications

The specified model meets or exceeds the following standards;



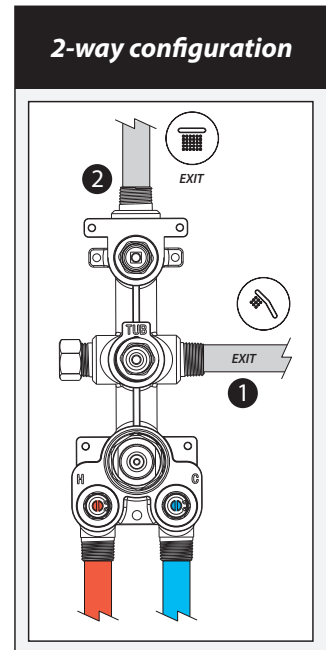
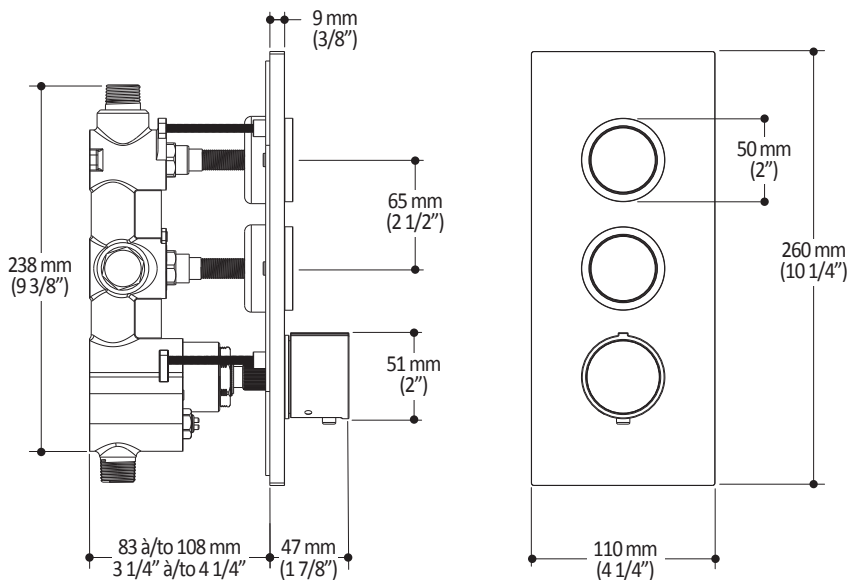
Installation Notes

This product must be installed following the installation instructions provided.

WARRANTY

Kalia Inc. guarantees all aspects of its products to be free of defects in material and workmanship for normal residential use. Refer to the warranty included with the Kalia products for details.

Product dimensions:



Important: Dimensions are approximated and are subject to changes. Please refer to the installation instructions.



ONCE UPON A TIME...WATER®

1355, 2nd Street, Industrial Park
Sainte-Marie (Québec)
Canada G6E 1G9

T 418-387-9090
1-877-GO-KALIA (1-877-465-2542)
F 418 387-9089

KaliaStyle.com



Kalia

ONCE UPON A TIME...WATER®

BF1646 Rainhead with Vertical Ceiling Arm

SPÉCIFICATIONS

Features

- Male water inlet 1/2NPT on vertical arm
- Female water inlet G1/2 on rainhead
- Rainhead dimension:
260 mm x 188 mm x 16 mm (10 1/4" x 7 3/8" x 5/8")
- Soft tips for easy cleaning of limescale
- Adjustable orientation swivel
- Solid brass arm and plastic rainhead construction

Colors (Finishes)

- Chrome: BF1646-110
- Pure Nickel PVD: BF1646-125
- Matte Black: BF1646-160

Maximum flow rate

- 7.6 L/min (2 gpm) at 80 psi



Installation Notes

This product must be installed following the installation instructions provided.

WARRANTY

Kalia Inc. guarantees all aspects of its products to be free of defects in material and workmanship for normal residential use. **Refer to the warranty included with the Kalia products for details.**

Product dimensions:



Important: Dimensions are approximated and are subject to changes. Please refer to the installation instructions.



Kalia

ONCE UPON A TIME...WATER®

1355, 2^e Rue du Parc industriel
Sainte-Marie (Québec)
Canada G6E 1G9

T 418-387-9090
1-877-GO-KALIA (1-877-465-2542)
F 418 387-9089

kaliastyle.com



ONCE UPON A TIME...WATER®

104289

2-jet handshower

SPECIFICATIONS

Features

- Male water inlet G1/2
- Dimension: 80 mm (3 1/8") x 110 (4 3/8")
- 2 direct functions and 1 shared function
- Soft tips for easy cleaning of limescale

Colors (Finishes)

- Chrome: 104289-110
- Pure Nickel PVD: 104289-125
- Matte Black: 104289-160

Maximum flow rate

- 7.6 L/min. (2 gpm) at 80 psi

Certifications

The specified model meets or exceeds the following standards;



Installation Notes

This product must be installed following the installation instructions provided.

WARRANTY

Kalia Inc. guarantees all aspects of its products to be free of defects in material and workmanship for normal residential use. **Refer to the warranty included with the Kalia products for details.**

Product dimensions:



Important : Dimensions are approximated and are subject to changes. Please refer to the installation instructions.



ONCE UPON A TIME...WATER®

1355, 2nd Street, Industrial Park
Sainte-Marie (Québec)
Canada G6E 1G9

T 418-387-9090
1-877-GO-KALIA (1-87- 465-2542)
F 418 387-9089

KaliaStyle.com



Kalia

ONCE UPON A TIME...WATER®

103576

Wallbar for handshower

SPÉCIFICATIONS

Features

- Total height of 775 mm (30 1/2")
- Easy-to-use gliding system
- Locking system

Colors (Finishes)

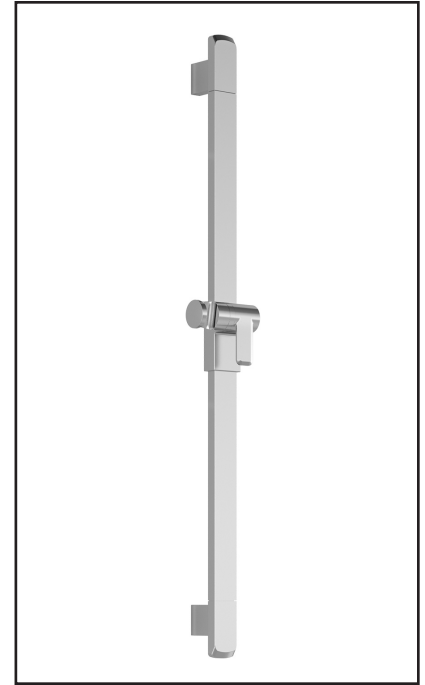
- Chrome: 103576-110
- Pure Nickel PVD: 103576-125
- Matte Black: 103576-160

Installation Notes

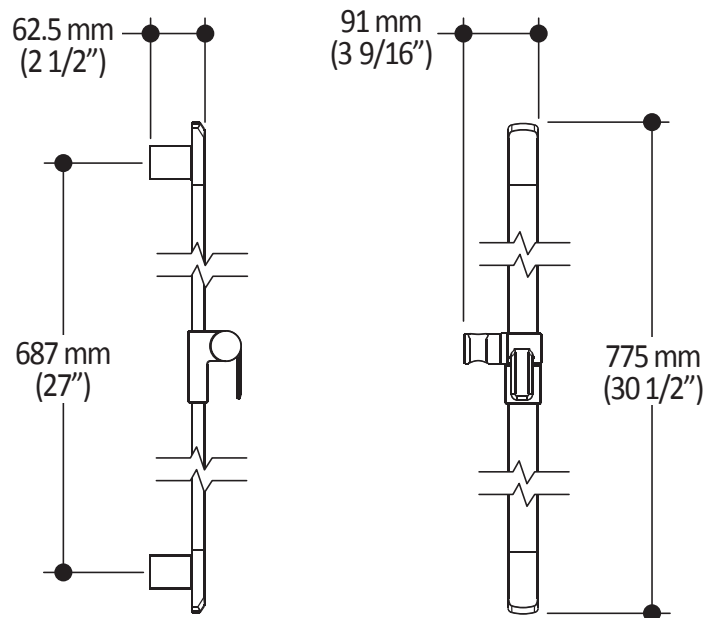
This product must be installed following the installation instructions provided.

WARRANTY

Kalia Inc. guarantees all aspects of its products to be free of defects in material and workmanship for normal residential use. **Refer to the warranty included with the Kalia products for details.**



Product dimensions:



Important : Dimensions are approximated and are subject to changes. Please refer to the installation instructions.



Kalia

ONCE UPON A TIME...WATER®

1355, 2nd Street, Industrial Park
Sainte-Marie (Québec)
Canada G6E 1G9

T 418-387-9090
1-877-GO-KALIA (1-87- 465-2542)
F 418 387-9089

KaliaStyle.com





ONCE UPON A TIME...WATER®

106193 Wall Outlet

SPECIFICATIONS

Features

- Solid brass construction
- Connector adjustable in depth for increased durability
- Female water inlet 1/2NPT
- Male water outlet G1/2

Colors (Finishes)

- Chrome: 106193-110
- Pure Nickel PVD: 106193-125
- Matte Black: 106193-160

Certifications

The specified model meets or exceeds the following standards:



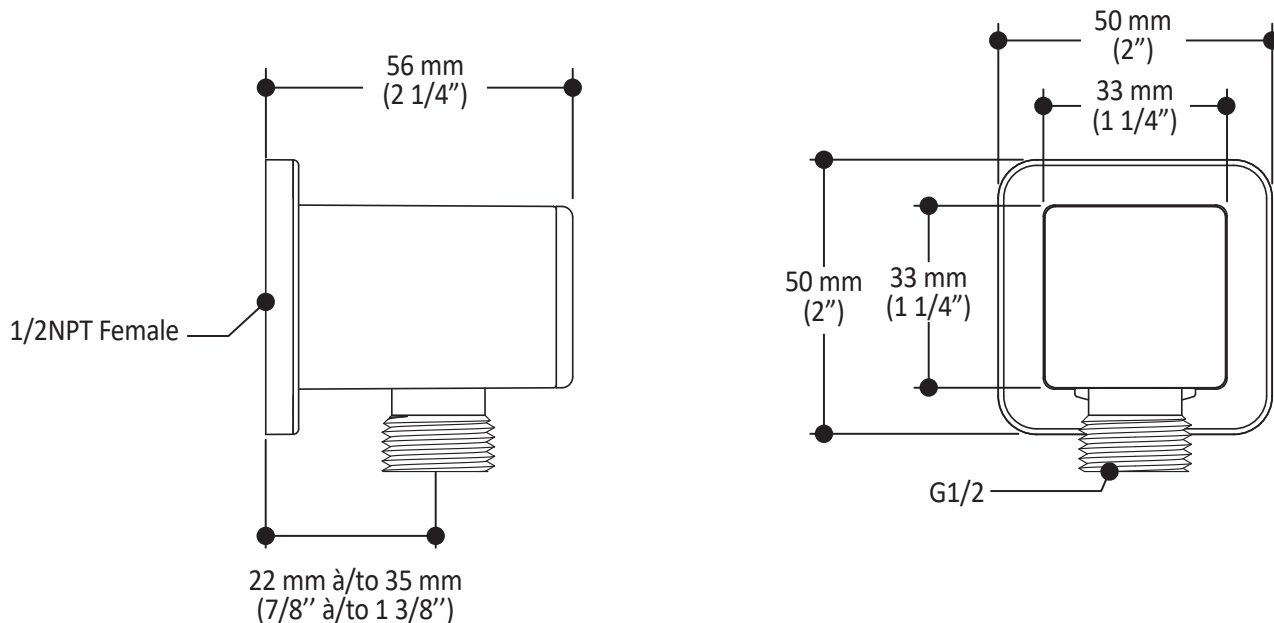
Installation Notes

This product must be installed following the installation instructions provided.

WARRANTY

Kalia Inc. guarantees all aspects of its products to be free of defects in material and workmanship for normal residential use. **Refer to the warranty included with the Kalia products for details.**

Product dimensions:



Important: Dimensions are approximated and are subject to changes. Please refer to the installation instructions.



ONCE UPON A TIME...WATER®

1355, 2nd Street, Industrial Park
Sainte-Marie (Québec)
Canada G6E 1G9

T 418-387-9090
1-877-GO-KALIA (1-87- 465-2542)
F 418 387-9089

KaliaStyle.com



Kalia

ONCE UPON A TIME...WATER®

101620

60" (1524 mm) Flexible and Soft PVC Hose

SPECIFICATIONS

Features

- G1/2 female connection
- Integrated check valve

Colors (Finishes)

- Chrome: 101620-110
- Pure Nickel PVD: 101620-125
- Black and chrome: 101620-150
- Matte Black: 101620-160



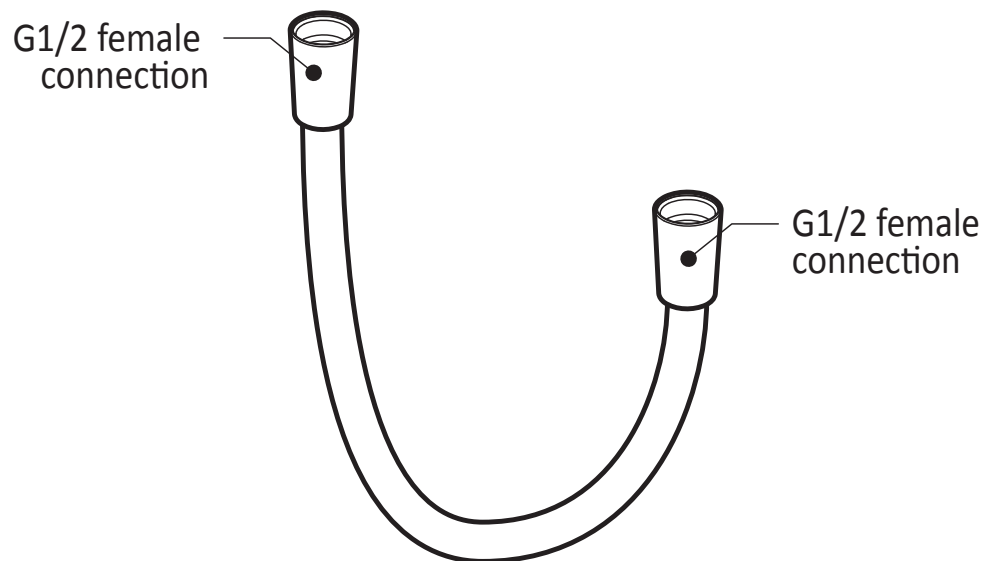
Installation Notes

This product must be installed following the installation instructions provided.

WARRANTY

Kalia Inc. guarantees all aspects of its products to be free of defects in material and workmanship for normal residential use. **Refer to the warranty included with the Kalia products for details.**

Product dimensions:



Important : Dimensions are approximated and are subject to changes. Please refer to the installation instructions.



Kalia

ONCE UPON A TIME...WATER®

1355, 2nd Street, Industrial Park
Sainte-Marie (Québec)
Canada G6E 1G9

T 418-387-9090
1-877-GO-KALIA (1-87-465-2542)
F 418 387-9089

KaliaStyle.com