


Features

2-jet handshower (105010-XXX):

- Diameter of 100 mm (4")
- Soft tips for easy cleaning of limescale
- Male water inlet G1/2
- 2 direct functions and 1 shared function

Adjustable grab bar for handshower (106291-XXX):

- Adapted to residences for seniors 
- Total height of 983 mm (38 11/16")
- Grab bar with adjustable slider for the handshower
- Can hold up to 250 pounds of force
- Locking system

60" flexible metal hose (105007-XXX):

- 1/2 female connection
- Integrated check valve

Maximum flow rate

- 9.5 L/min (2.5 gpm) at 60 psi

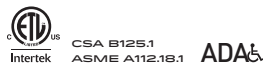
Colors (Finishes)

- Chrome: BF1960-110

**The grab bar is made of polished stainless steel.*

Certifications

The specified model meets or exceeds the following standards;

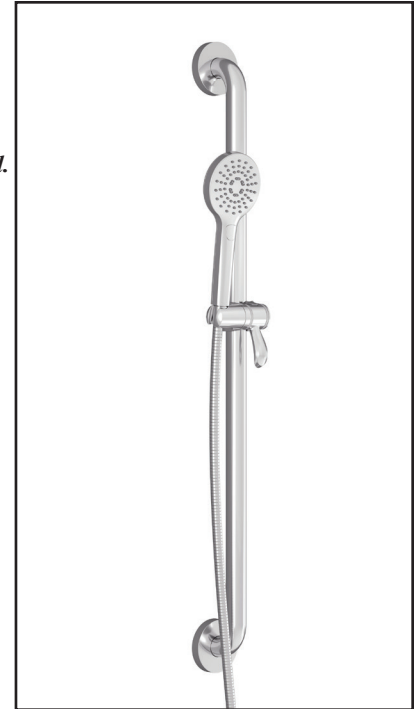


Installation Notes

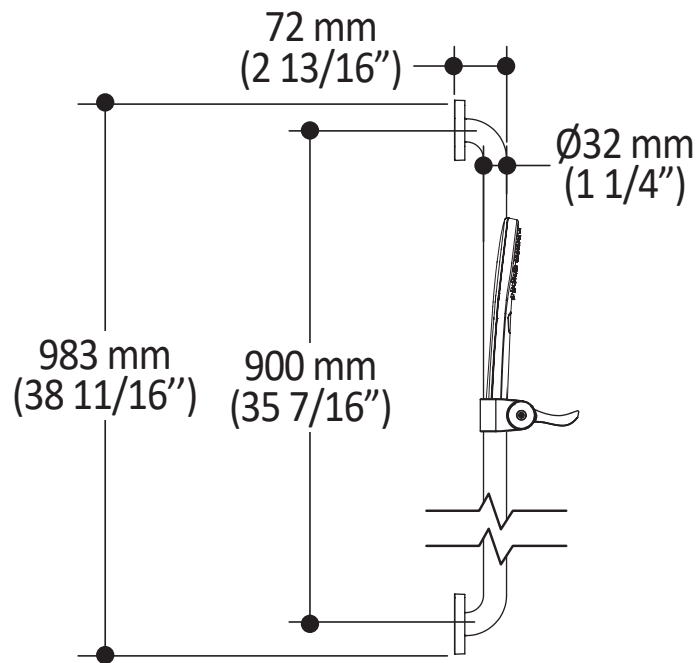
This product must be installed following the installation instructions provided.

WARRANTY

Kalia Inc. guarantees all aspects of its products to be free of defects in material and workmanship for normal residential use. **Refer to the warranty included with the Kalia products for details.**



Product dimensions:



Important : Dimensions are approximated and are subject to changes. Please refer to the installation instructions.